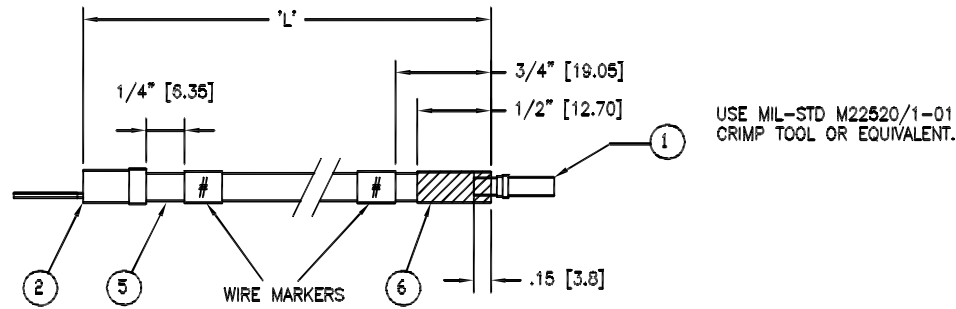
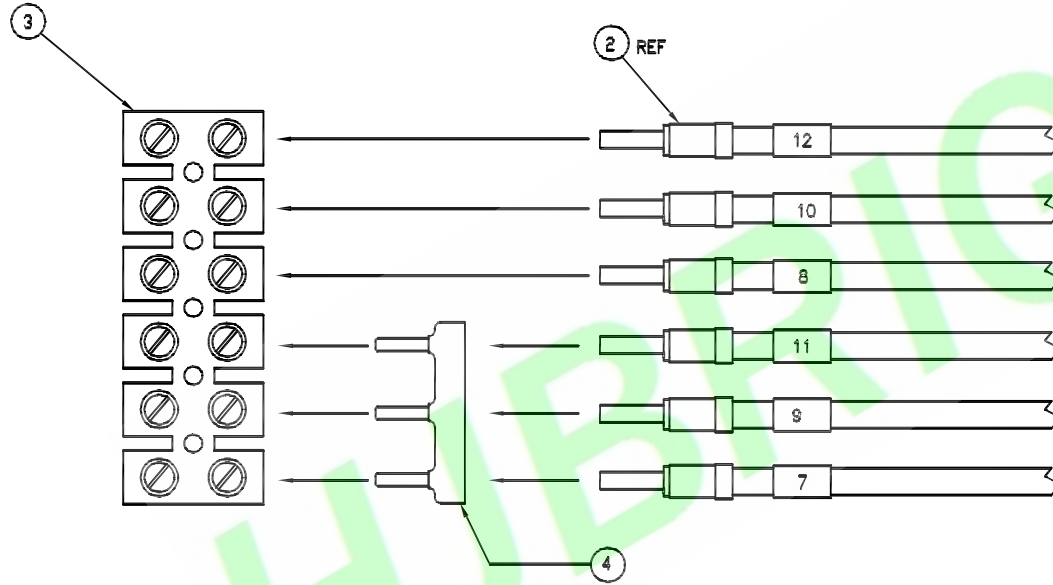


WIRE PREPARATION



- NOTES:
 1.FABRICATE ACCORDING TO IPC/WHMA-A-620
 2.TERM PULL FORCE TEST CONDITION:31.75kgf (MIN)
 3.DIMENSIONS ARE IN INCHES WITH METRIC(mm)IN BASKETS:INCHES(mm)

WIRE MARKER #	CUT LENGTH 'L'
7	12" [305]
8	11" [279]
9	6.5" [165]
10	6.5" [165]
11	9" [229]
12	8" [203]



CABLE LENGTH TOLERANCES			
0 - 12"	±0.10"	0 - 305mm	±2.5mm
13 - 38"	±0.25"	330 - 915m	±8.4mm

INSERT JUMPER (4) INTO BOTTOM 3 POSITIONS OF TERMINAL BLOCK. INSERT WIRE ENDS TERMINATED WITH RECTANGULAR PINS INTO TERMINAL BLOCK AND TIGHTEN SCREWS.

Item	Alpha P/N	Description	Mfr	MfrPN	Qty	Unit
1	538-161-19	Cnct,Crmp,#12 Fem Sckt,2.5mm Dia,Au Pld	Chin Aviaton Optcal Electrical Technology Co.Ltd	K12YAU-2.5	6	PCS
2	538-030-19	Wire Term,Crmp,#12-10AWG,5ctngl Pin,Yel TE	K.S Terminals Inc.	DBV5-14 524543	6	PCS
3	535-159-19	TB,6 Post,Dbl Row,14.5mm#14-6 AWG,600V	Weiss	327-FU-HDS06	1	PCS
4	657-514-19	Comb,Impr bar,3 Post.,14.5mm Sp,for TB	Weiss	327-J03	1	PCS
5	850-011-19	Wire,Hoop,CSA TEW,UL 1015#12AWG Std,Blk	Colman Cable	41104	53	IN
6	840-003-19	Tbg,Ht Shmk,3/16" Dia,Blk	ChangYuan	CB-102,HFT4-5BLACK	3	IN
7	950-129-19	Wire Marker,# 7.34",72 Strips/Card	Panduit	FCMH-7	0.06	PCS
8	950-130-19	Wire Marker,# 8.34",72 Strips/Card	Panduit	FCMH-8	0.06	PCS
9	950-131-19	Wire Marker,# 9.34",72 Strips/Card	Panduit	FCMH-9	0.06	PCS
10	950-132-19	Wire Marker,#10.34",72 Strips/Card	Panduit	FCMH-10	0.06	PCS
11	950-133-19	Wire Marker,#11.34",72 Strips/Card	Panduit	FCMH-11	0.06	PCS
12	950-134-19	Wire Marker,#12.34",72 Strips/Card	Panduit	FCMH-12	0.06	PCS

5X				DR.BY.: Samson
4X				
3X				CHKD.: Tony
2X				
1X	ORIGINAL	Samson		APPD.: Billy
REV.	DESCRIPTION	DR.BY	ECN. NO.	

GENERAL TOLERANCE:	
LINEAR	ANGLES
X.:	X'.
X.X:	X.X'.
X.XX:	X.XX'.
X.XXX:	X.XXX'.

PART NO : HJ-0932-003P
DWG. NO.:
TITLE : CABLE ASSY,TBD,TBD,HRNSS,AC
DATE: 15-Oct-2015

HJBRIGHT 東莞市華晶電子有限公司
 BRIGHT-E ELECTRONIC TECHNOLOGY LIMITED

SHEET: 1/1
 SCALE: 1:1
 UNIT: mm

THIRD ANGLE PROJECTION

A4