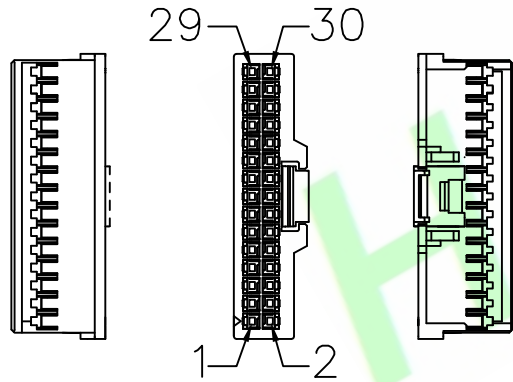


接线方式:

- P1-----P2
 1-----1 红
 2-----2 灰
 3-----3 灰
 {-----{ 灰
 30-----30 灰

序号	品名规格	用量	备注
1	A20022H-30P Housing	2PCS	
2	A20022T-PQ 端子	60PCS	
3	UL 1007#26AWG 80° C 300V 红	1PCS	
4	UL 1007#26AWG 80° C 300V 灰	29PCS	



5X			
4X			
3X			
2X			
1X	ORIGINAL	Aaron	
REV.	DESCRIPTION	DR.BY	ECN. NO.

DR.BY:	Aaron	
CHKD.:	Tony	
APPD.:	Billy	

GENERAL TOLERANCE:	
LINEAR	ANGLES
x.: ±0.30	x': ±5.0°
x.x: ±0.20	x.x': ±3.0°
x.xx: ±0.15	x.xx': ±2.0°
x.xxx: ±0.10	x.xxx': ±1.0°

PART NO. : YY06-0082
DWG. NO.:
TITLE : IGRID 2.0mm W/B DUAL RCPT 30P Wire (L=70mm)
DATE: 16-Sep-2019

HJBRIGHT 东莞市华晶电子有限公司
 BRIGHT-E ELECTRONIC TECHNOLOGY LIMITED

SHEET: 1/1	<p>THIRD ANGLE PROJECTION</p>	<p>A4</p>
SCALE: 1:1		
UNIT: mm		