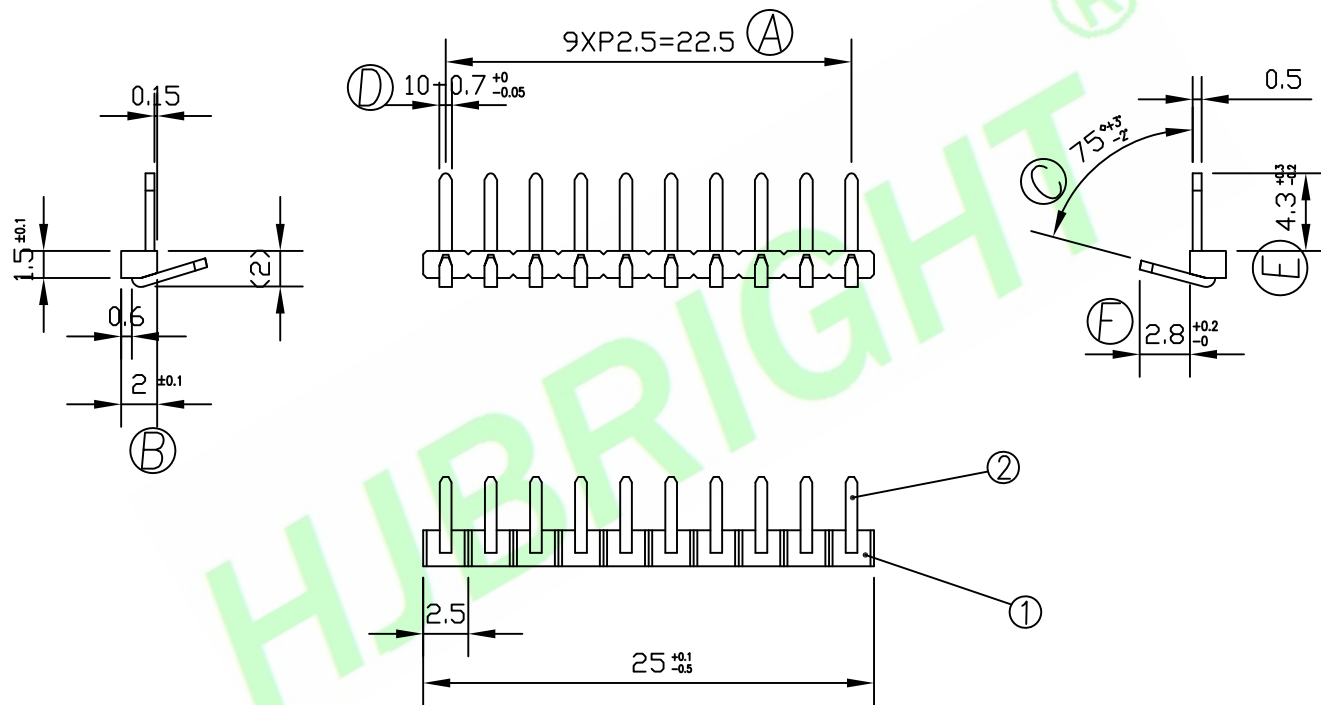


| | | | | |
|----|-----------|--|------|--------|
| 2 | PIN | SPCC,NI Plated:40u"~80u"; Sn Plated :120u" Min. | 10 | |
| 1 | MOLD | PBT,COLOR:BLACK | 1 | |
| NO | PART NAME | MATERIALS,FINESH,SPECIFICATIONS | Q'TY | REMARK |

2X

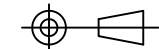


GENERAL TOLERANCE:±0.2mm

| | | | | | | |
|------|----------------|------------|----------|-------------|--------------------|--|
| 5X | | | | DR.BY.: 曾冬明 | GENERAL TOLERANCE: | PART NO : 1545-0264-00000 |
| 4X | | | | CHKD.: 罗鹏 | LINEAR | DWG. NO.: KST-CF111MVD-108 |
| 3X | | | | APPD.: 尹友江 | ANGLES | TITLE : TERMINAL PIN-037-1 10P(2.5mm) |
| 2X | Change Plating | Aaron | 20170414 | | X.: | |
| 1X | ORIGINAL | joan cheng | | | X.X: | |
| REV. | DESCRIPTION | DR.BY | ECN. NO. | | X.XX: | |
| | | | | | X.XXX: | |

HJBRIGHT 东莞市华晶电子有限公司
Dong Guan HJBright Electronic Company

SHEET: 1/1
SCALE: 1:1
UNIT: mm



THIRD ANGLE PROJECTION

A4