

**Specifications:**

**Material And Finish:**

Insulator:PA6T UL94V-0 Color:Black

Contact:Phosphorus copper

Plated:See Ordering Information

**Rating:**

Current Rating:3.0 Amp

Voltage Rating:250V AC/DC

Operating Temperature Range:-40~+105°C

**Electrical:**

Contact resistance:20m Ohm Max

Insulator resistance:1000M ohm min.

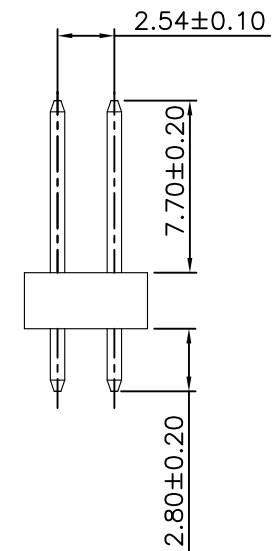
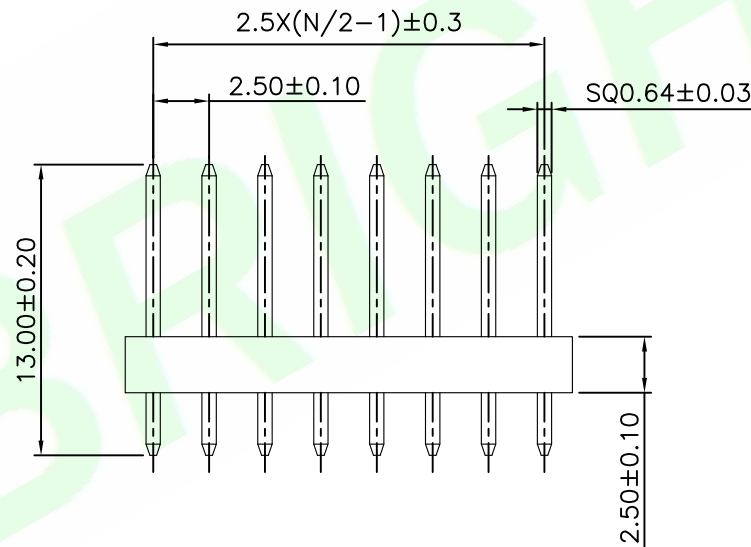
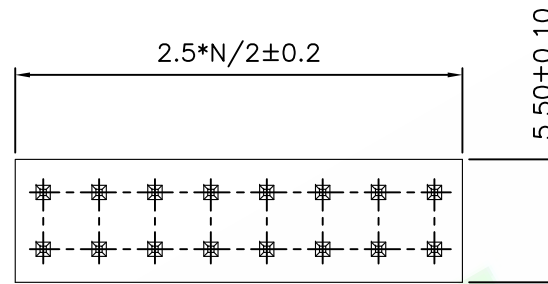
Withstanding Voltage:1000V AC/Minute

**Ordering Information**

25032S-XXS130-NX

1 2 3 4 5

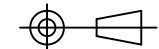
- 1: — Series No.
- 2: — S: Straight Type
- 3: — No. of Positions
- 4: — S: Matte Tin Plated
- 5: — A: In bag  
B: In Tube  
C: In Tray



5X				DR.BY.: Sophia	GENERAL TOLERANCE:		PART NO : 25032S-XXS130-NX
4X					LINEAR	ANGLES	DWG. NO.:
3X				CHKD.: Tony	X.: ±0.30	X': ±5.0°	TITLE :
2X				APPD.: Billy	X.X: ±0.20	X.X': ±3.0°	2.50X2.54mm Pitch Pin Header
1X	ORIGINAL	Sophia			X.XX: ±0.15	X.XX': ±2.0°	DATE: 8-Aug-2020
REV.	DESCRIPTION	DR.BY	ECN. NO.		X.XXX: ±0.10	X.XXX': ±1.0°	

**HJBRIGHT** 東莞市華晶電子有限公司  
BRIGHT-E ELECTRONIC TECHNOLOGY LIMITED

SHEET: 1/1  
SCALE: 1:1  
UNIT: mm



THIRD ANGLE PROJECTION

**A4**