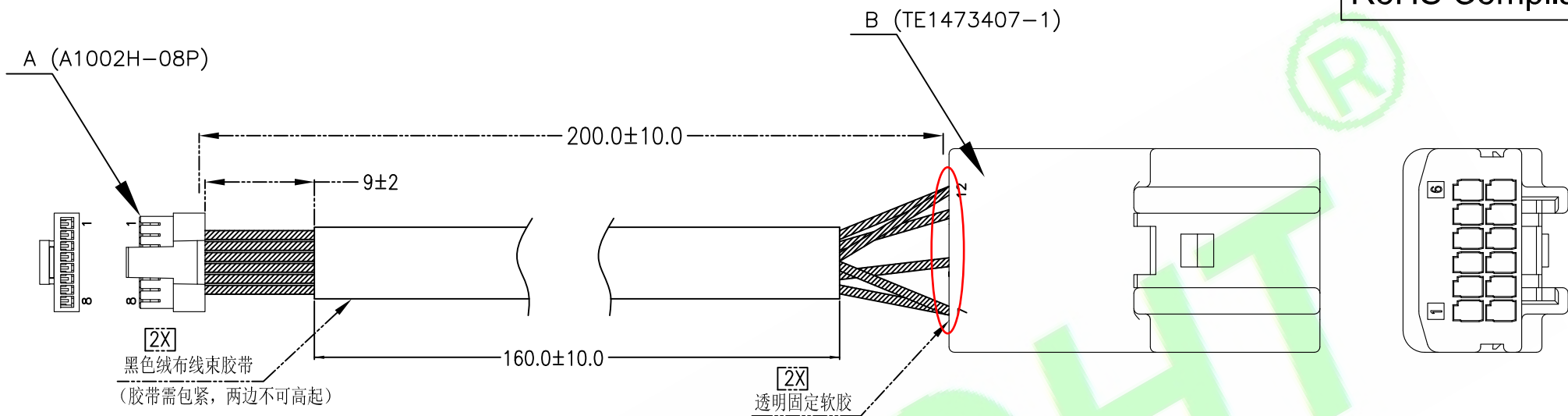
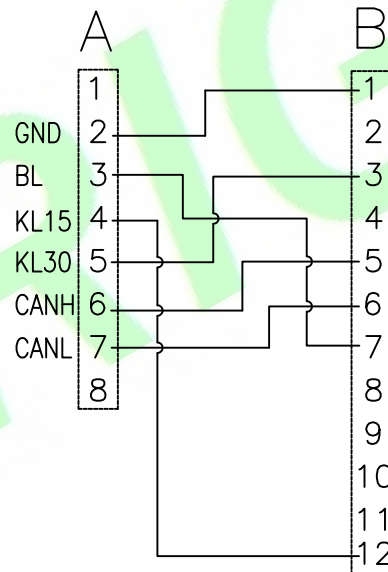
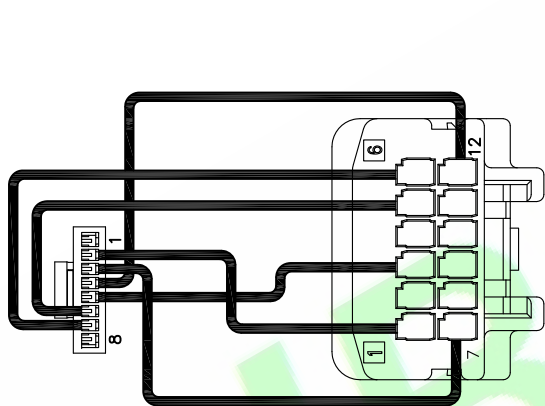


RoHS Compliant



2X  
黑色绒布线束胶带  
(胶带需包紧, 两边不可高起)

2X  
透明固定软胶



电气指标:  
 额定电流: GND 100mA  
 温度范围: -40° C~85° C  
 电压: 9~16V  
**线束: AWG#28 OD:0.9mm**  
 所选用元器件须符合车规要求

5X				DR.BY.: Ren	GENERAL TOLERANCE:		PART NO : HJ-0812P-28-200		<b>HJBRIGHT®</b> 东莞市華晶電子有限公司 BRIGHT-E ELECTRONIC TECHNOLOGY LIMITED SHEET: 1/1 SCALE: 1:1 UNIT: mm A4
4X				Ren	LINEAR	ANGLES	DWG. NO.:		
3X				CHKD.: Ren	x.: ±0.30	x': ±5.0°	TITLE :		
2X	新增透明固定软胶, 变更黑色热缩管为黑色绒布线束胶带	Judyyan	20210429	APPD.: Billy	x.x: ±0.20	x.x': ±3.0°	汽车换挡器 8P/12P		
1X	ORIGINAL	Ren			x.xx: ±0.15	x.xx': ±2.0°	DATE: 23-02-2021		
REV.	DESCRIPTION	DR.BY	ECN. NO.		x.xxx: ±0.10	x.xxx': ±1.0°			