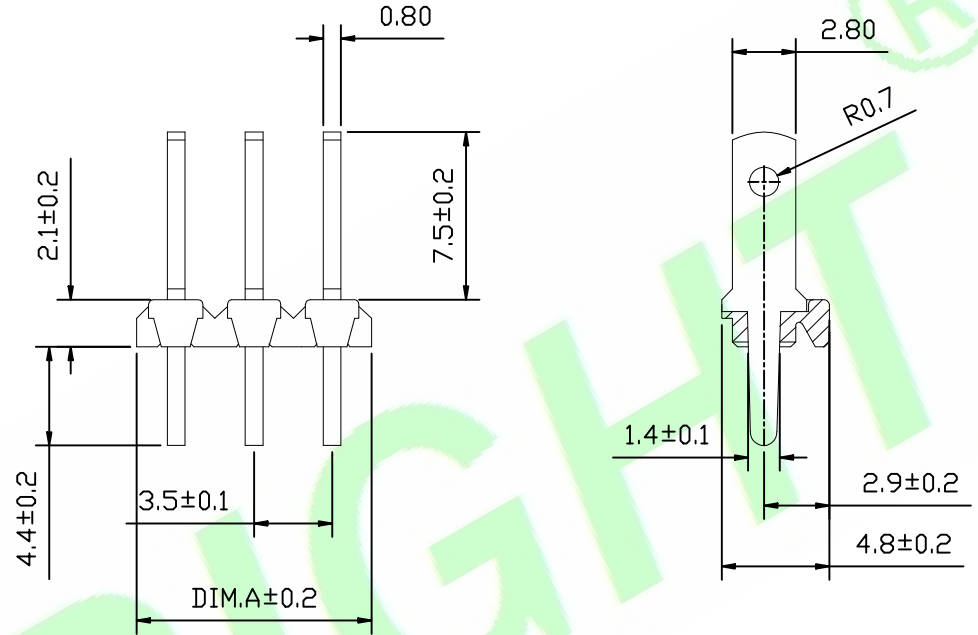


Specifications:
 Material And Finish:
 Insulator:PA6T UL94V-0 Color:Black
 Contact:Brass
 Plated:See Ordering Information

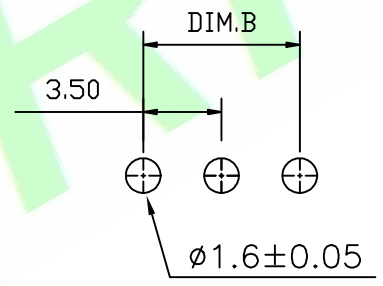
Rating:
 Current Rating:7.0 Amp
 Operating Temperature Range:-40~+100°C

Electrical:
 Contact resistance:30m Ohm Max
 Insulator resistance:1000M ohm min.
 Withstanding Voltage:500V AC/Minute



Ordering Information
35011S-XXS140-NX
 1 2 3 4 5

- 1:— Series No.
- 2:— S: Straight Type
- 3:— No. of Positions
- 4:— S: 2.5um Min matte tin over 1.25um nickel
- 5:— A: In bag
 B: In Tube
 C: In Tray
 G: Tape&Reel



RECOMMENDED P.C.B LAYOUT

CKT SIZE	DIM A	DIM B
1X2	7.00	3.50
1X3	10.5	7.00
1X4	14.00	10.50
1X5	17.50	14.00
1X6	21.00	17.50
1X7	24.50	21.00
1X8	28.00	24.50
1X9	31.50	28.00
1X10	35.00	31.50

5X				DR.BY.: YHJ	GENERAL TOLERANCE:		PART NO : 35011S-XXS140-NX	
4X					LINEAR	ANGLES	DWG. NO.:	
3X				CHKD.: Aren	x.: ±0.50	x': ±5.0°	TITLE : 3.5mm Pitch Pin Header	
2X					x.x: ±0.25	x.x': ±3.0°	Straight type	
1X	ORIGINAL	YHJ		APPD.: Billy	x.xx: ±0.05	x.xx': ±2.0°	DATE: 2023.2.7	
REV.	DESCRIPTION	DR.BY	ECN. NO.		x.xxx: ±0.01	x.xxx': ±1.0°	UNIT: mm	

HJBRIGHT® 東莞市華晶電子有限公司
 BRIGHT-E ELECTRONIC TECHNOLOGY LIMITED

SHEET: 1/1
 SCALE: 1:1
 UNIT: mm

THIRD ANGLE PROJECTION

A4