

Specifications:

Material And Finish:

Insulator:PBT UL94V-0 Color:Black

Contact:Brass

Plated:See Ordering Information

Rating:

Current Rating:16.0 Amp

Voltage Rating:800V AC/DC

Operating Temperature Range:-55~+105°C

Electrical:

Contact resistance:10m Ohm Max

Insulator resistance:1000M ohm min.

Withstanding Voltage:2600V AC/Minute

Ordering Information

A25401R-04X-XX-X

1 2 3 4 5 6

1: — Series No.

2: — R:R/A Type

3: — No. of Positions

4: — A:Gold flash

Q:Tin Plated

S:Matte Tin Plated

M:15u" Gold on contact;Tin on tail

A2:30u" Gold on contact;Tin on tail

5: — 01:X-KEY Type

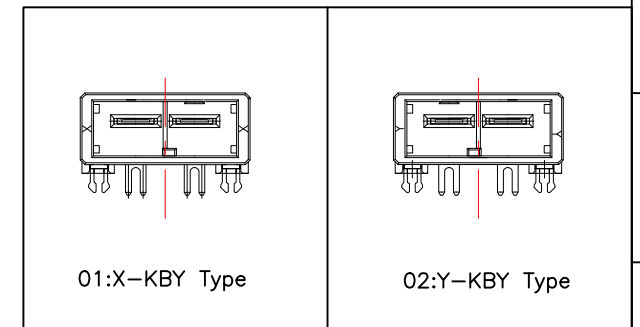
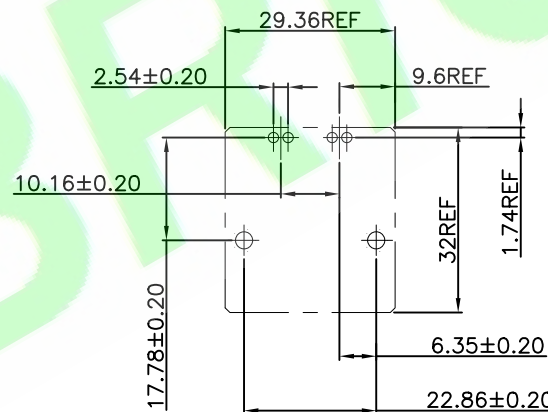
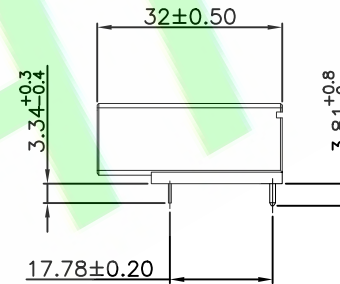
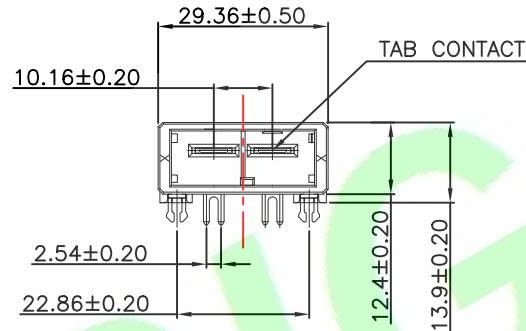
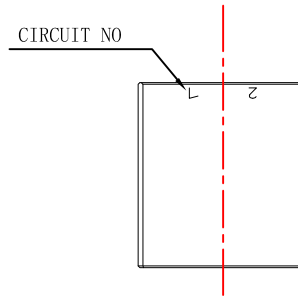
02:Y-KEY Type

6: — A:In Bag

B:In Tube

C:In Tray

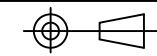
G:W/O Cap In Tape&Reel



5X				DR.BY.: Wu	GENERAL TOLERANCE:		PART NO : A25401R-04X-XX-X	
4X					LINEAR	ANGLES	DWG. NO.:	
3X				CHKD.: Aren	x.: ±0.40	x': ±5.0°	TITLE :	
2X					x.x: ±0.30	x.x': ±3.0°	2.54Pitch Wafer 4PIN	
1X	ORIGINAL	Wu		APPD.: Billy	x.xx: ±0.20	x.xx': ±2.0°	DATE: 2-Jan-2023	
REV	DESCRIPTION	DR.BY	ECN. NO		x.xxx:	x.xxx': ±1.0°		

HJBRIGHT 東莞市華晶電子有限公司
BRIGHT-E ELECTRONIC TECHNOLOGY LIMITED

SHEET: 1/1
SCALE: 1:1
UNIT: mm



THIRD ANGLE PROJECTION

A4