

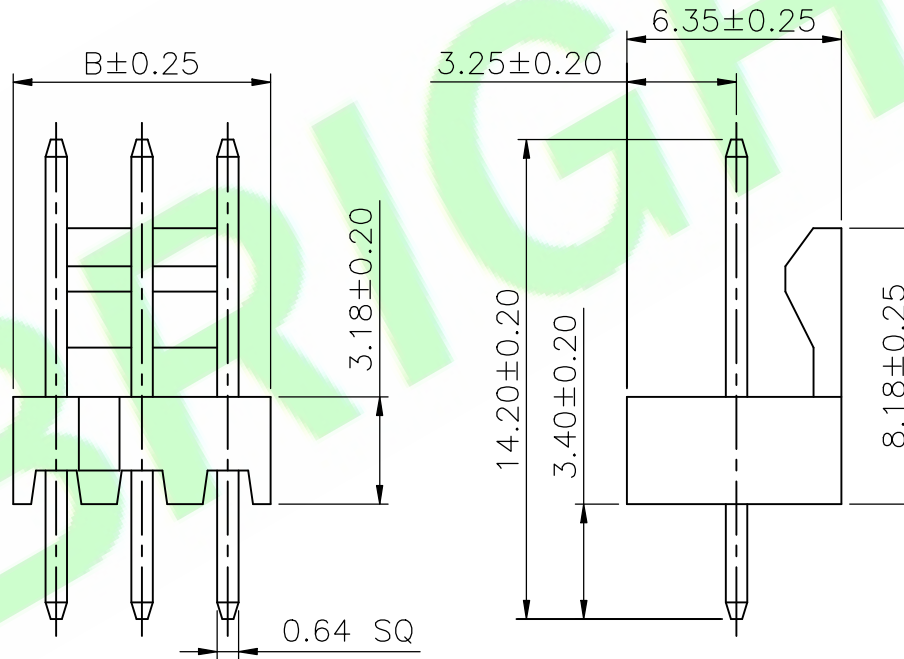
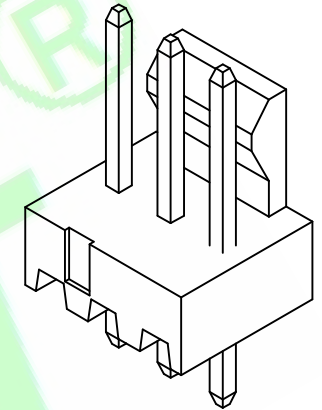
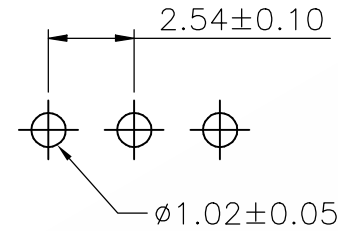
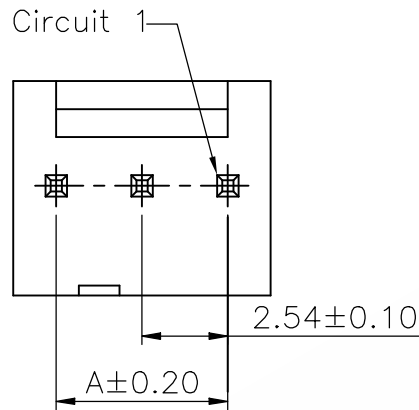
Specifications:  
 Material And Finish:  
 Insulator:Nylon 66 UL94V-0  
 Contact:Brass  
 Plated:See Ordering Information

Rating:  
 Current Rating:4.0 Amp  
 Voltage Rating:250V AC/DC  
 Operating Temperature Range:-25~+85°C

Electrical:  
 Contact resistance:10m Ohm Max  
 Insulator resistance:1000M ohm min.  
 Withstanding Voltage:1000V AC/Minute

Ordering Information  
 A2542BS-XXX-01-X  
 1 2 3 4 5

- 1: Series No.
- 2: S: Straight Type
- 3: No. of Positions
- 4: A: Gold Flash  
Q: Tin Plated
- 5: A: In Bag



Circuits	Dimension mm	
	A	B
02	2.54	5.08
03	5.08	7.62
04	7.62	10.16
05	10.16	12.70
06	12.70	15.24
07	15.24	17.78
08	17.78	20.32
09	20.32	22.86
10	22.86	25.40
11	25.40	27.94
12	27.94	30.48
13	30.48	33.02
14	33.02	35.56
15	35.56	38.10
16	38.10	40.64
17	40.64	43.18
18	43.18	45.72
19	45.72	48.26
20	48.26	50.80

5X				DR.BY.: Samson	GENERAL TOLERANCE:		PART NO : A2542BS-XXX-01-X
4X					LINEAR	ANGLES	DWG. NO.:
3X				CHKD.: Tony	X.: ±	X': ±	TITLE :
2X	ORIGINAL	Samson		APPD.: Billy	X.X: ±0.25	X.X': ±	2.54mm Pitch Wafer Straight Type
1X					X.XX: ±0.15	X.XX': ±	DATE: 21-Jun-2006
REV.	DESCRIPTION	DR.BY	ECN. NO.		X.XXX: ±0.05	X.XXX': ±	

**HJBRIGHT** 東莞市華晶電子有限公司  
 BRIGHT-E ELECTRONIC TECHNOLOGY LIMITED

SHEET: 1/1  
 SCALE: 1:1  
 UNIT: mm

THIRD ANGLE PROJECTION

**A4**