

Specifications:

Material And Finish:
 Insulator:PBT UL94V-0 Color:Black
 Contact:Brass
 Plated:See Ordering Information

Rating:

Current Rating:16.0 Amp
 Voltage Rating:800V AC/DC
 Operating Temperature Range:-55~+105°C

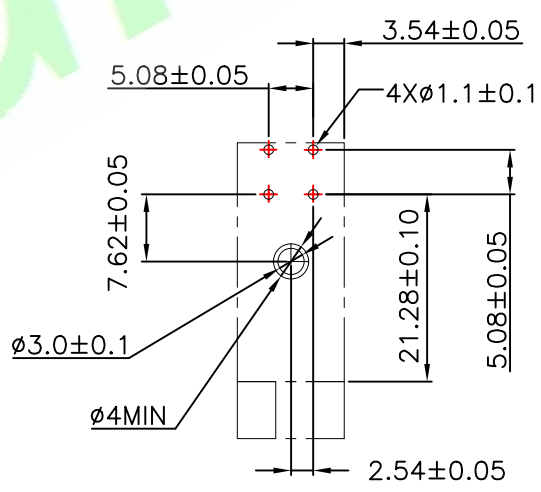
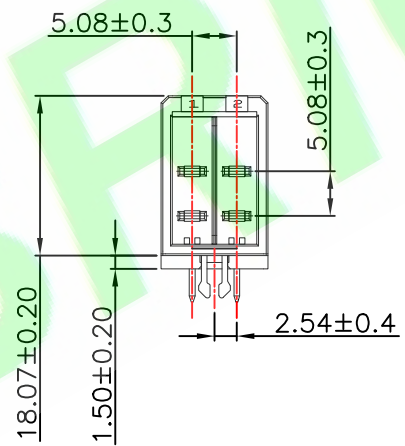
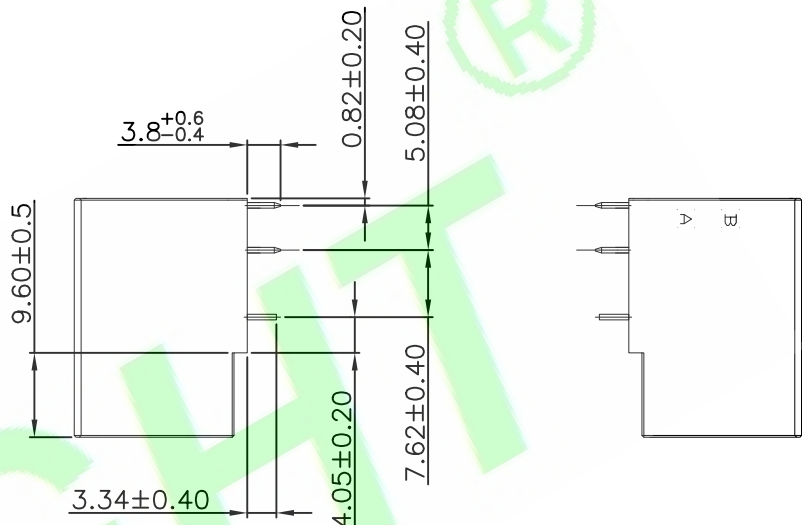
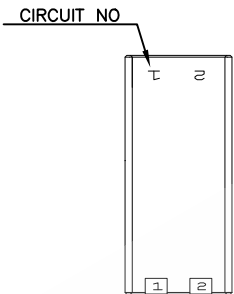
Electrical:

Contact resistance:10m Ohm Max
 Insulator resistance:1000M ohm min.
 Withstanding Voltage:2600V AC/Minute

Ordering Information

A50801R-04X-X
 1 2 3 4 5

- 1: Series No.
- 2: R:R/A Type
- 3: No. of Positions
- 4: A:Gold flash
 Q:Tin Plated
 S:Matte Tin Plated
 M:15u" Gold on contact;Tin on tail
 A2:30u" Gold on contact;Tin on tail
- 5: A:In Bag
 B:In Tube
 C:In Tray
 G:W/O Cap In Tape&Reel



5X				DR.BY.: Wu	GENERAL TOLERANCE:		PART NO : A50801R-04X-X
4X					LINEAR	ANGLES	DWG. NO.:
3X				CHKD.: Aren	X.: ±0.40	X': ±5.0°	TITLE :
2X					X.X: ±0.30	X.X': ±3.0°	5.08Pitch Wafer 4PIN
1X	ORIGINAL	Wu		APPD.: Billy	X.XX: ±0.20	X.XX': ±2.0°	DATE: 2-Jan-2023
REV.	DESCRIPTION	DR.BY	ECN. NO.		X.XXX:	X.XXX': ±1.0°	

HJBRIGHT® 东莞市華晶電子有限公司
 BRIGHT-E ELECTRONIC TECHNOLOGY LIMITED

SHEET: 1/1
 SCALE: 1:1
 UNIT: mm

THIRD ANGLE PROJECTION

A4