

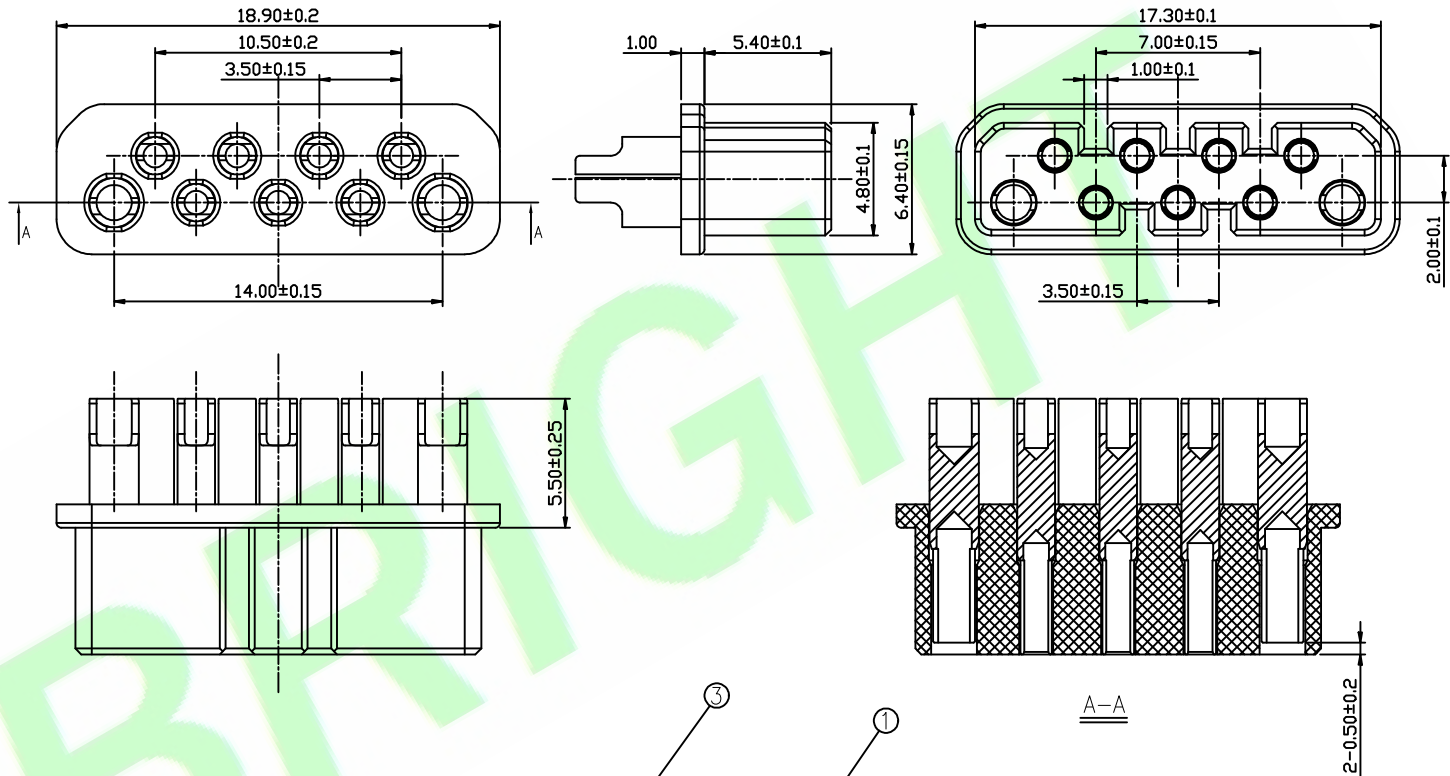
Specifications:
 Material And Finish:
 Insulator:Nylon 6T UL94V-0 Color:Black
 Contact:Brass
 Plated:See Ordering Information

Rating:
 Current Rating:5.0 Amp
 Voltage Rating:250V AC/DC
 Operating Temperature
 Range:-40~+105°C

Electrical:
 Contact resistance:30m Ohm Max
 Insulator resistance:1000M ohm min.
 Withstanding Voltage:1000V AC/Minute

Ordering Information
 DC35001SM-XXX-01-X
 1 23 45 5

- 1: — Series No.
- 2: — S: Straight Type
- 3: — M: Male
- 4: — No. of Positions
- 5: — S: Matte Tin Plated
- 6: — A: In Bag
 B: In Tube
 C: In Tray
 G: Tape & Reel



③	TERMINAL2	7	BRASS	Au 1u-3u",Ni 30-80u"
②	TERMINAL1	2	BRASS	Au 1u-3u",Ni 30-80u"
①	HOUSING	1	PA6T	BLACK
No.	PART NAME	MANY	MATERIAL	FINISH

5X				DR.BY:	Hu.CH	GENERAL TOLERANCE:		PART NO : DC35001SM-09A-01-X	
4X				CHKD.:	Hu.CH	LINEAR	ANGLES	DWG. NO.:	
3X				APPD.:	Billy	x.:	x': ±5.0°	TITLE :	
2X	ORIGINAL	Hu.CH				x.x:	x.x': ±3.0°	9PIN DC PLUG	
1X						x.xx:	x.xx': ±2.0°	DATE: 21-Dec-2023	
REV	DESCRIPTION	DR.BY	ECN. NO.			x.xxx:	x.xxx': ±1.0°		

HJBRIGHT 东莞市华晶电子有限公司
 BRIGHT-E ELECTRONIC TECHNOLOGY LIMITED

SHEET: 1/1
 SCALE: 1:1
 UNIT: mm

THIRD ANGLE PROJECTION

A4