

Specifications:  
Terminal: Copper alloy  
Wire Range: AWG#8~16

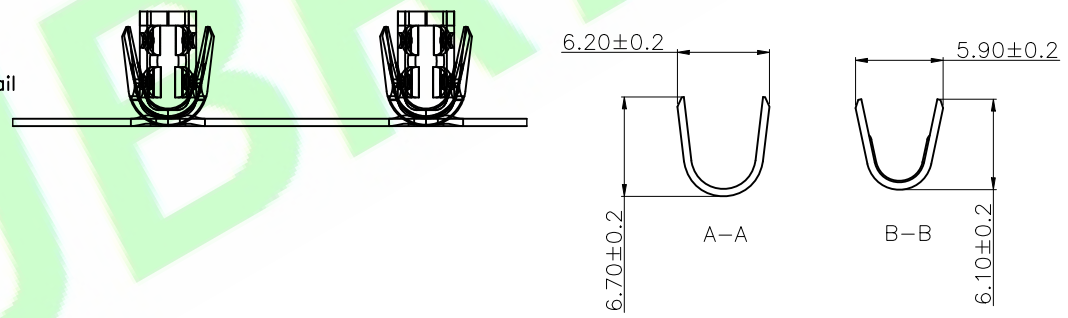
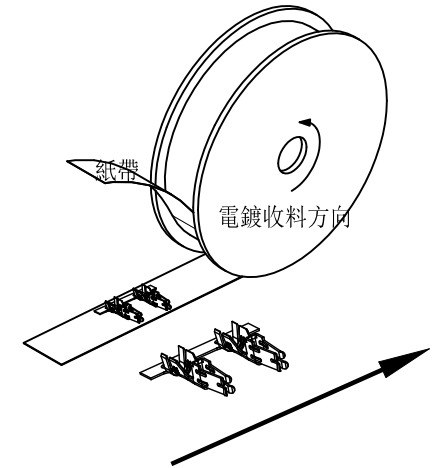
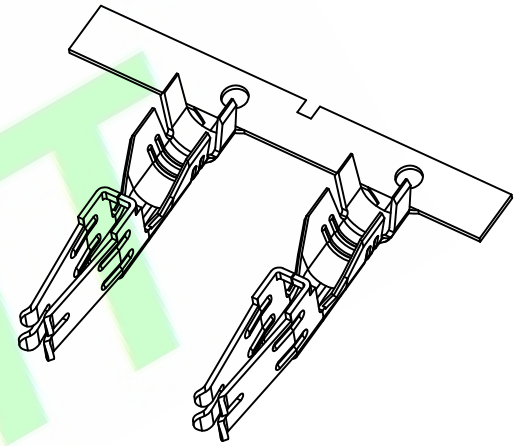
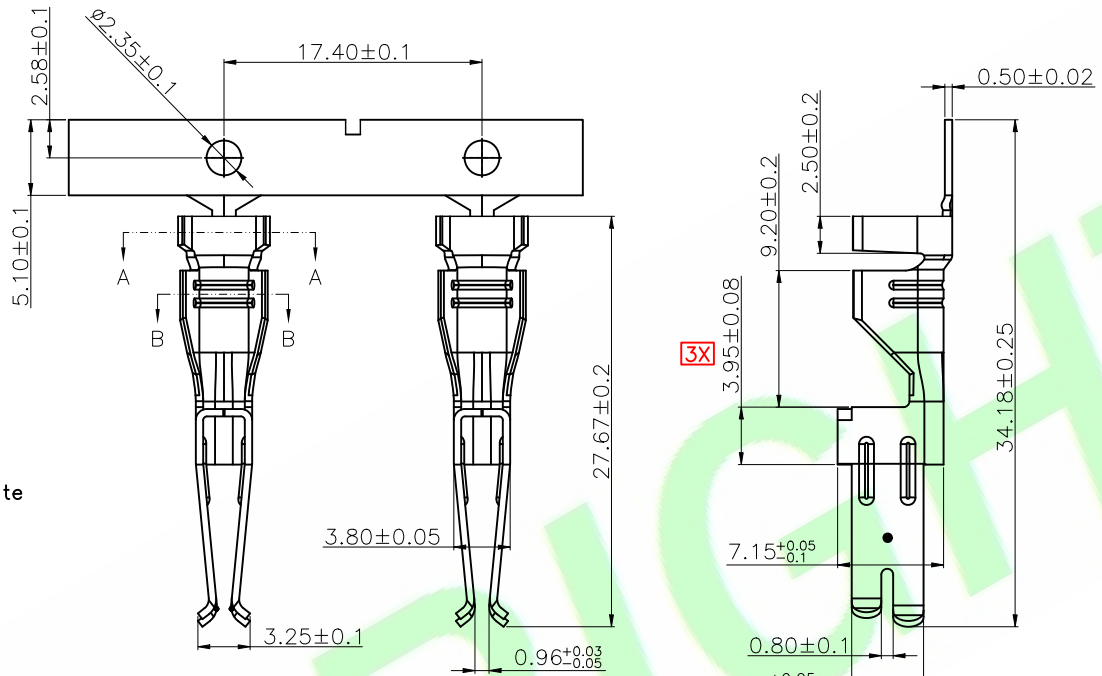
Rating:  
Current Rating: AWG#8 48A AC/DC  
AWG#10 40A AC/DC  
AWG#12 32A AC/DC  
Voltage Rating: 600V AC/DC

Electrical:  
Contact resistance: 20m Ohm Max  
Withstanding Voltage: 1000V AC/Minute

Ordering Information

H10001TF-PX  
1 23 4

- 1: Series No.
- 2: T: Terminal
- 3: F: Female Terminal
- 4: H: Selective Gold Plated  
Q: Tin Plated  
A2: 30u" Gold on contact; Tin on tail



5X				DR.BY.: Mark	GENERAL TOLERANCE:		PART NO : H10001TF-PX	<b>HJBRIGHT®</b> 東莞市華晶電子有限公司 BRIGHT-E ELECTRONIC TECHNOLOGY LIMITED	
4X				Mark	LINEAR	ANGLES	DWG. NO.:		
3X	Update the size according to the physical	Judyyan	20240113	CHKD.: Tony	x.: ±0.15	x': ±5.0°	TITLE :	SHEET: 1/1	
2X	Revised drawing annotation	Judyyan	20220715	APPD.: Billy	x.x: ±0.10	x.x': ±3.0°	10.0mm Pitch Female Terminal		SCALE: 1:1
1X	ORIGINAL	Mark			x.xx: ±0.05	x.xx': ±2.0°	DATE: 04-Jun-2021	UNIT: mm	
REV.	DESCRIPTION	DR.BY	ECN. NO.		x.xxx:	x.xxx': ±1.0°		THIRD ANGLE PROJECTION	A4