

Specifications:

Material:

Insulator: PA66 UL94V-0 Color: Black

Rating:

Current Rating: 3.0 Amp

Voltage Rating: 250V AC/DC

Operating Temperature Range: -25~+85°C

Electrical:

Contact resistance: 20m Ohm Max

Insulator resistance: 500M ohm min.

Withstanding Voltage: 1500V AC/Minute

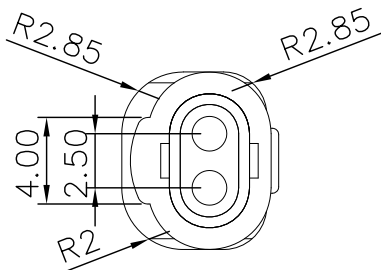
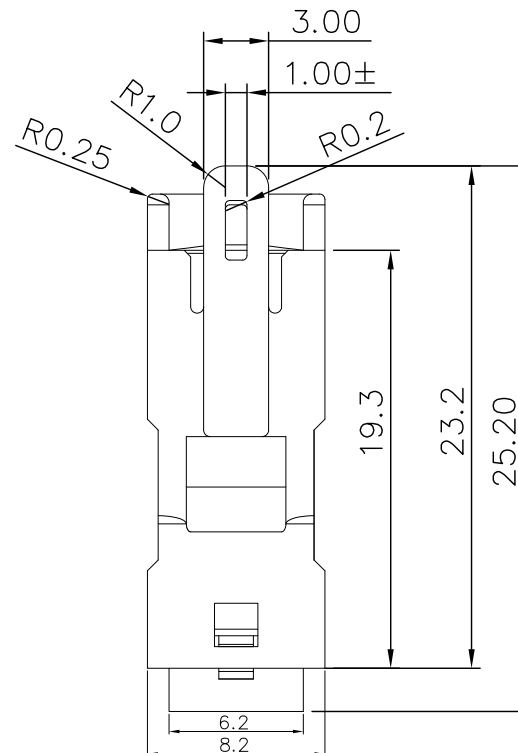
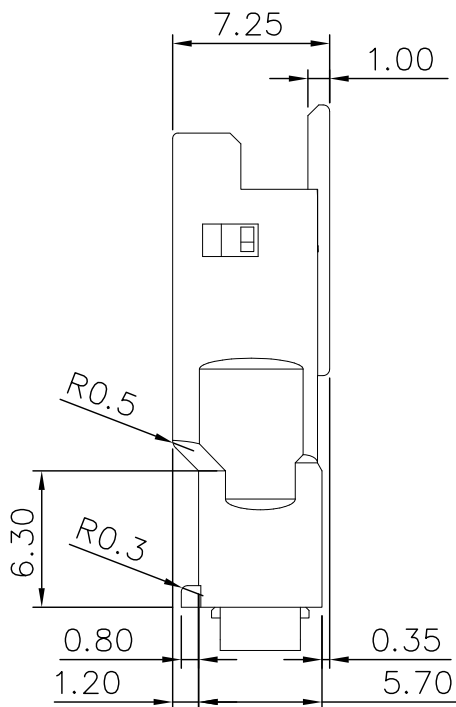
Waterproof grade: IP65

Ordering Information

H2516F-02P-01-B

1 2 3 4

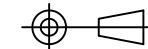
- 1: — Series No.
- 2: — F: Female Housing
- 3: — No. of Positions
- 4: — A: In Bag



5X				DR.BY.: Mark	GENERAL TOLERANCE:	PART NO : H2516F-02P-01-B
4X				Mark	LINEAR	DWG. NO.:
3X				CHKD.: Tony	10 UNDER ±0.2	TITLE :
2X	Update Code options	Judyyan	20221221	APPD.: Billy	10 OVER 30 UNDER ±0.5	2.50mm Pitch Housing Female
1X	ORIGINAL	Mark			30 UNDER ±0.3	DATE: 21-Feb-2022
REV.	DESCRIPTION	DR.BY	ECN. NO.		ANGULAR ±3°	

HJBRIGHT® 東莞市華晶電子有限公司
BRIGHT-E ELECTRONIC TECHNOLOGY LIMITED

SHEET: 1/1
SCALE: 1:1
UNIT: mm



THIRD ANGLE PROJECTION

A4