

Specifications:

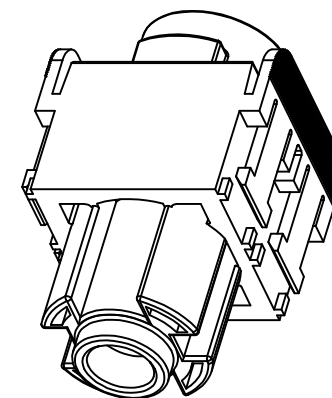
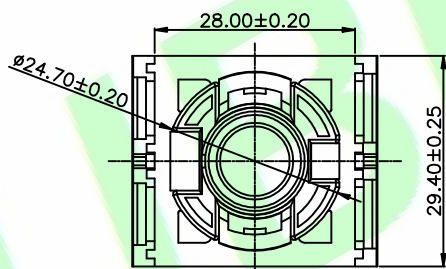
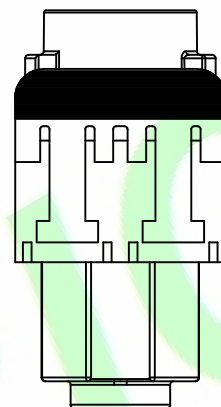
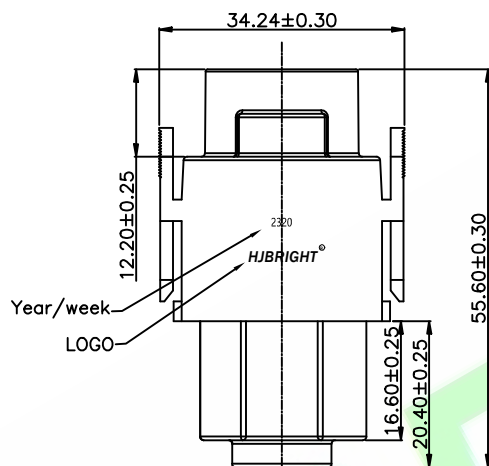
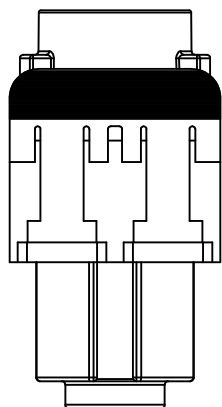
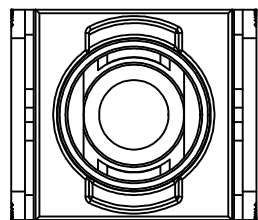
Insulator:PC UL94V-0 Color:Natural  
 Current Rating:70 Amp  
 Voltage Rating:1000V AC/DC  
 Operating Temperature Range:-40~+125°C  
 Contact resistance:30m Ohm Max  
 Insulator resistance:400M ohm min.  
 Rated Impulse voltage:8KV  
 Mating cycles:500 cycles

Ordering Information

PM1480KF-01P-01-XA

1 2 3 4 5

- 1: Series No.
- 2: KF:Housing Female
- 3: 01P:Power PIN
- 4: P:PBT  
PC:PC
- 5: A:In Bag



5X			DR.BY.: kang	GENERAL TOLERANCE:		PART NO : PM1480KF-01P-01-XA	
4X				LINEAR	ANGLES	DWG. NO.:	
3X			CHKD.: kang	X.: ±0.30	x': ±5.0°	TITLE :	
2X				X.X: ±0.25	x.X': ±3.0°	母座电源PIN塑胶	
1X	ORIGINAL	kang	APPD.: Billy	X.XX: ±0.15	x.XX': ±2.0°	DATE: 17-Aug-2023	
REV.	DESCRIPTION	DR.BY	ECN. NO.	X.XXX: ±0.10	x.XXX': ±1.0°	SHEET: 1/1	

**HJBRIGHT**® 东莞市華晶電子有限公司  
 BRIGHT-E ELECTRONIC TECHNOLOGY LIMITED

SCALE: 1:1  
 UNIT: mm



THIRD ANGLE PROJECTION

A4