

Specifications:

Material And Finish:

Insulator:PA66 UL94-V0 Color:Natural

Contact:Brass

Rating:

Current Rating:16.0 Amp

Voltage Rating:250V AC/DC

Operating Temperature Range:-25~+85°C

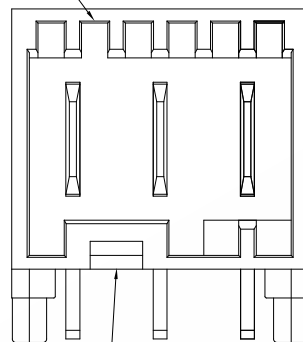
Electrical:

Contact resistance:20m Ohm Max

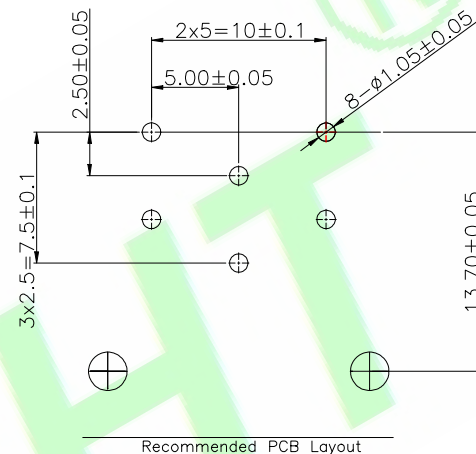
Insulator resistance:1000M ohm min.

Withstanding Voltage:1000V AC/Minute

Keying



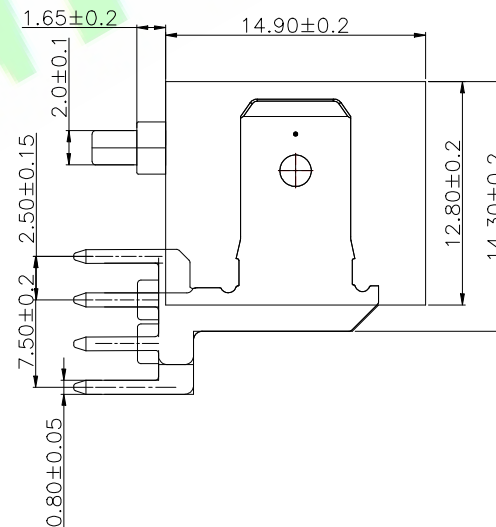
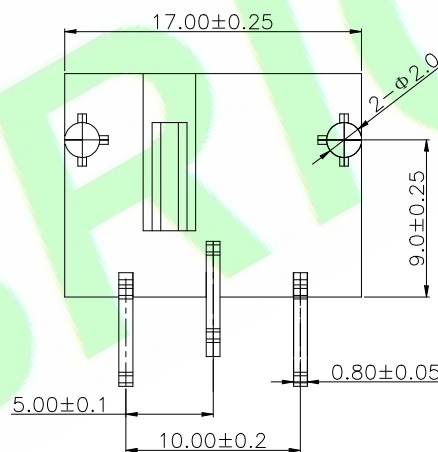
Locking Window



Ordering Information

RAST5001R-03X-03-X

- 1: — Series No.
- 2: — R:R/A Type
- 3: — No. of Positions
- 4: — A:Gold Flash
S:Matter Tin Plated
- 5: — B:In Tube
C:In Tray



5X			
4X			
3X			
2X	New anti-dork structure	Judyyan	20221207
1X	ORIGINAL	Mark	
REV.	DESCRIPTION	DR.BY	ECN. NO.

DR.BY.: Mark	GENERAL TOLERANCE:	
CHKD.: Tony	LINEAR	ANGLES
APPD.: Billy	X.: ±0.30	X': ±5.0°
	X.X: ±0.25	X.X': ±3.0°
	X.XX: ±0.15	X.XX': ±2.0°
	X.XXX: ±0.10	X.XXX': ±1.0°

PART NO : RAST5001R-03X-03-X
DWG. NO.:
TITLE : 5.0mm Pitch RASTER R/A Type
DATE: 28-Aug-2021

HJBRIGHT® 東莞市華晶電子有限公司
BRIGHT-E ELECTRONIC TECHNOLOGY LIMITED

SHEET: 1/1
SCALE: 1:1
UNIT: mm

THIRD ANGLE PROJECTION

A4