

Specifications:

Material And Finish:

Insulator:LCP UL94V-0 Color:Black

Contact:C5191

Shell:Stainless,T=0.20mm

Plated:See Ordering Information

Rating:

Current Rating:1.0 Amp

Voltage Rating:30V AC/DC

Operating Temperature Range:-40~+125°C

Electrical:

Contact resistance:10m Ohm Max

Insulator resistance:1000M ohm min.

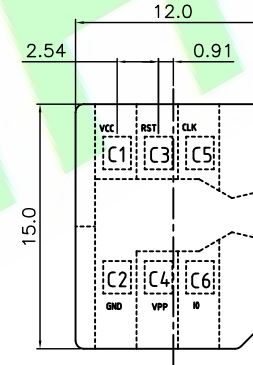
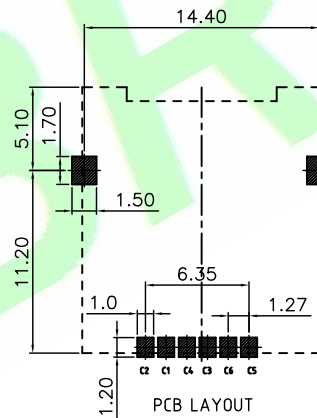
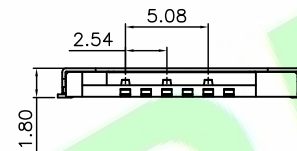
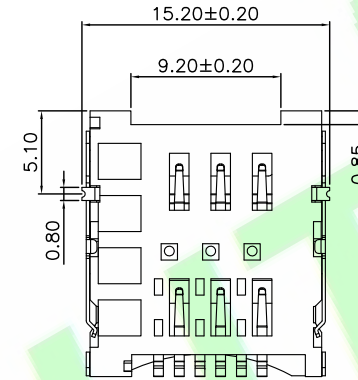
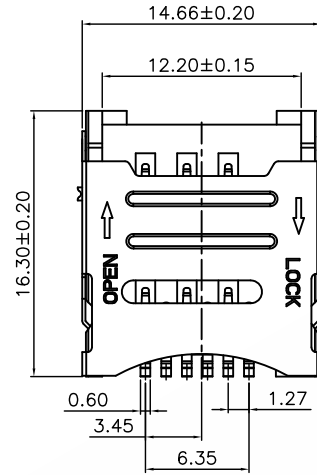
Withstanding Voltage:500V AC/Minute

Ordering Information

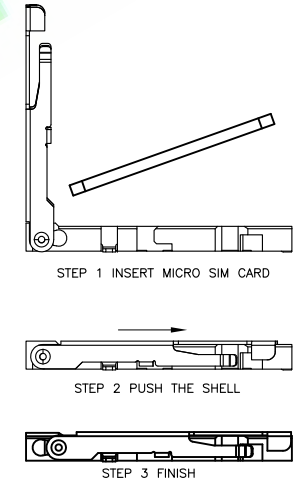
SIM1271H-06H-01-F

1 2 3 4 5

- 1: — Series No.
- 2: — H:Horizontal SMT Type
- 3: — No. of Positions
- 4: — A:Gold Flash
H:Selective Gold Plated
Q:Tin Plated
- 5: — G:Tape&Reel



MICRO SIM



PIN NO.	NAME	PIN NO.	NAME
C1	VCC	C4	VPP
C2	GND	C5	CLK
C3	RST	C6	IO

5X				DR.BY:	Judyyan
4X				CHKD.:	Aren
3X				APPD.:	Billy
2X					
1X	ORIGINAL	Judyyan			
REV.	DESCRIPTION	DR.BY	ECN. NO.		

GENERAL TOLERANCE:	
LINEAR	ANGLES
x.: ±0.30	x': ±5.0°
x.x: ±0.20	x.x': ±3.0°
x.xx: ±0.15	x.xx': ±2.0°
x.xxx: ±0.10	x.xxx': ±1.0°

PART NO :	SIM1271H-06H-01-F
DWG. NO.:	
TITLE :	1.27mm Pitch Mini SIM Card H=1.80mm Horizontal SMT Type
DATE:	24-Nov-2021

HJBRIGHT® 東莞市華晶電子有限公司
BRIGHT-E ELECTRONIC TECHNOLOGY LIMITED

SHEET: 1/1
SCALE: 1:1
UNIT: mm

THIRD ANGLE PROJECTION

A4