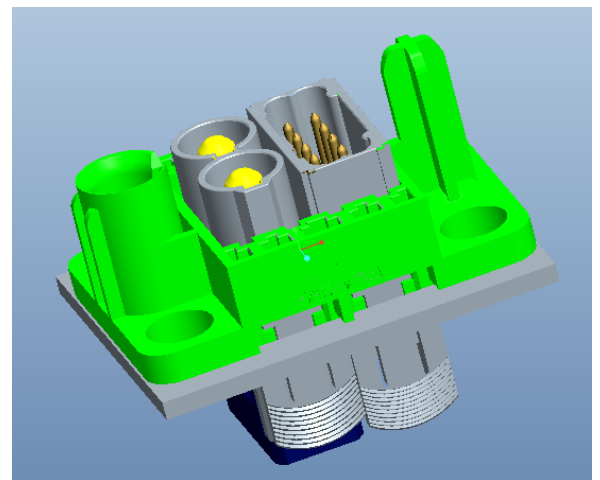
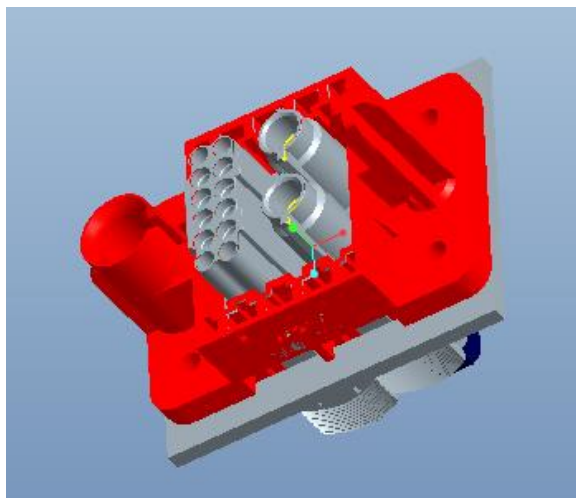


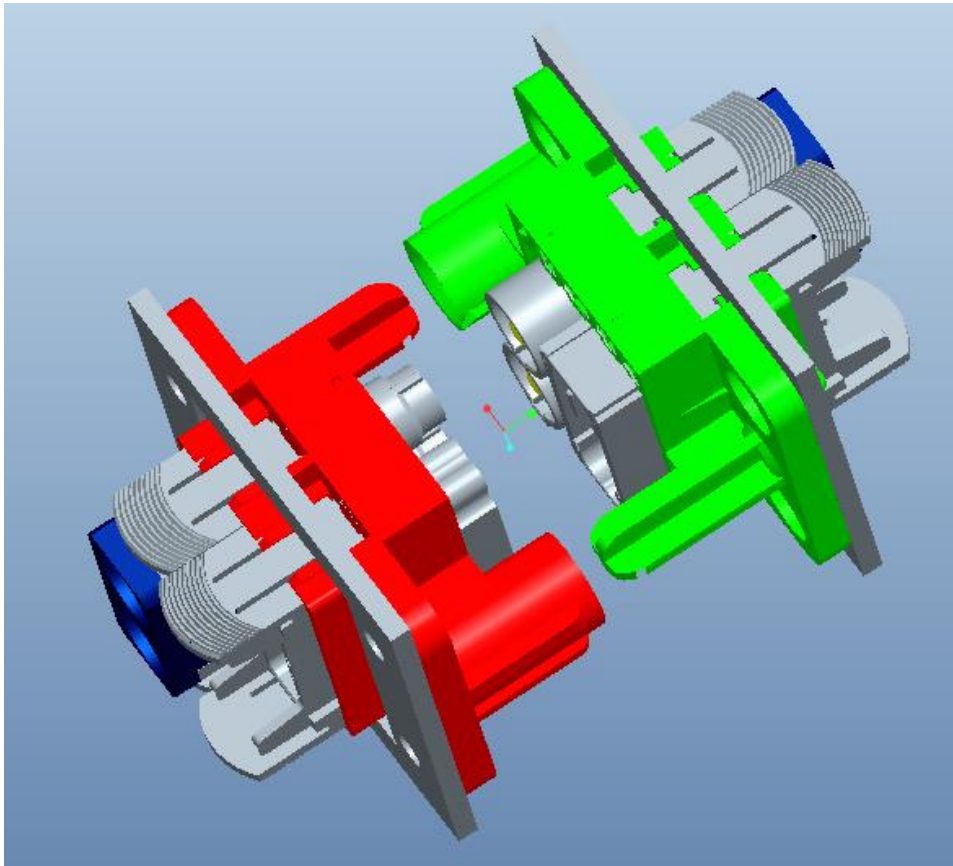
HJBRIGHT[®]

HDC MMN MODULES CONNECTOR

14.8mm Connectors



HJBRIGHT®



Professional connector and wiring harness manufacturer

东莞市华晶电子有限公司

地址:广东省东莞市常平镇黄泥塘禾石路1号3栋

DDR:Building 3, No. 1 Heshi Road, Huangnitang, Changping Town, Dongguan, Guangdong

BRIGHT-E ELECTRONIC TECHNOLOGY LIMITED

DDR:Rm. 1105, Lippo Centre Tower 1, 89 Queensway, Admiralty, Hong Kong.

地址: 香港金钟道89号力宝中心第一座11楼1105室

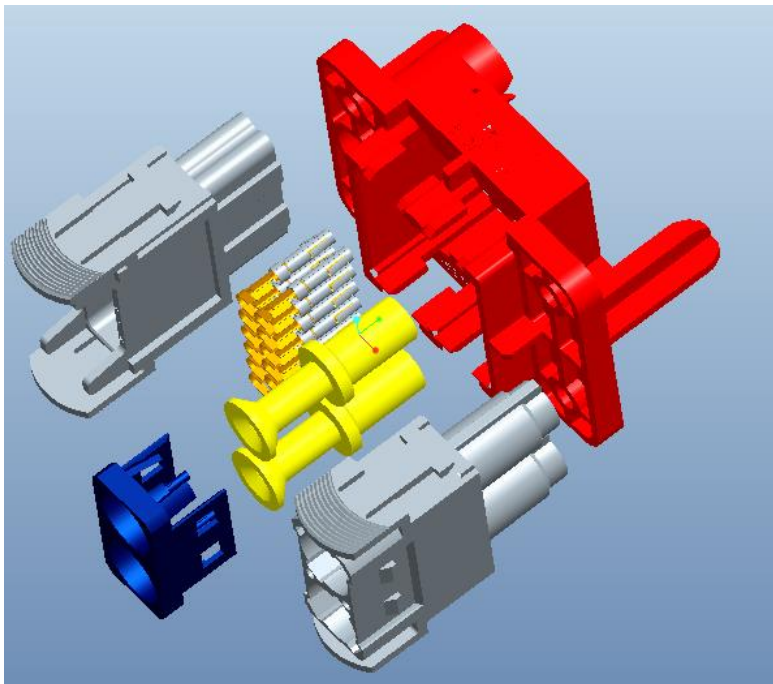
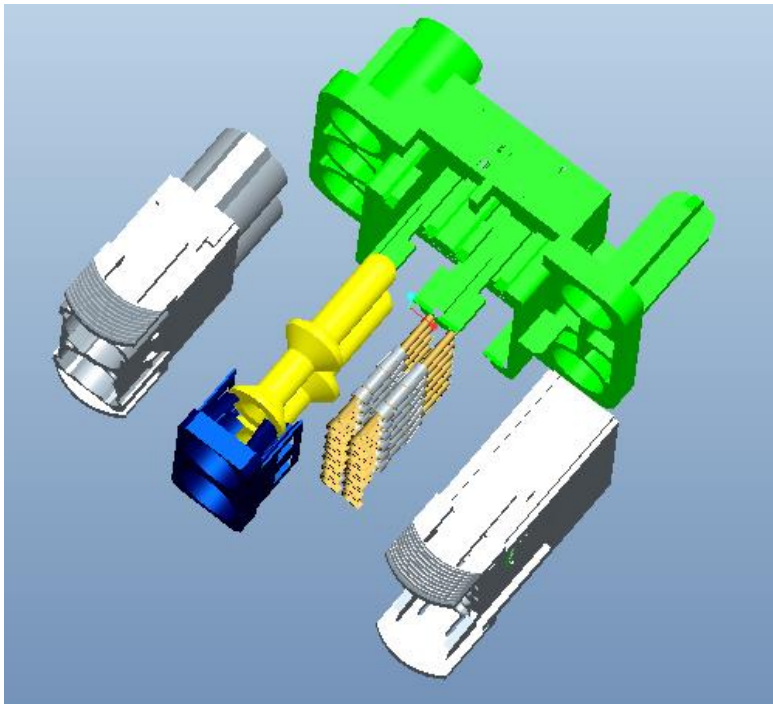
E-mail:billy@hjbright.com

PHONE:18819764786

TEL:0769-81089582

FAX:0769-81089581

HJBRIGHT®



东莞市华晶电子有限公司

地址:广东省东莞市常平镇黄泥塘禾石路1号3栋

DDR:Building 3, No. 1 Heshi Road, Huangnitang, Changping Town, Dongguan, Guangdong

BRIGHT-E ELECTRONIC TECHNOLOGY LIMITED

DDR:Rm. 1105, Lippo Centre Tower 1, 89 Queensway, Admiralty, Hong Kong.

地址:香港金钟道89号力宝中心第一座11楼1105室

E-mail:billy@hjbright.com

PHONE:18819764786

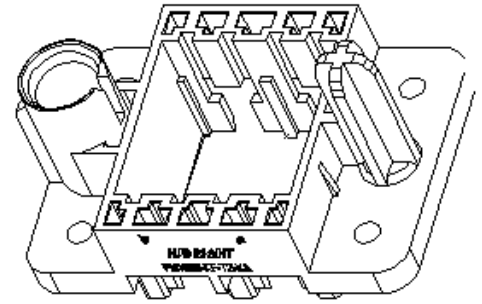
TEL:0769-81089582

FAX:0769-81089581

Female Inserts

Specifications:

Insulator:PC UL94V-0 Color:Natural
Mating cycles:500

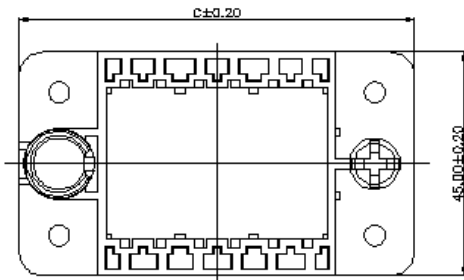


Ordering Information

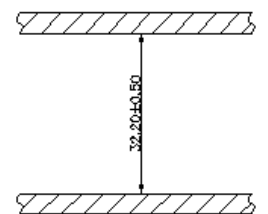
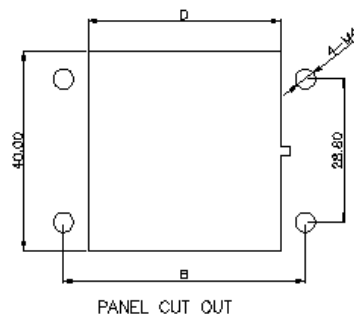
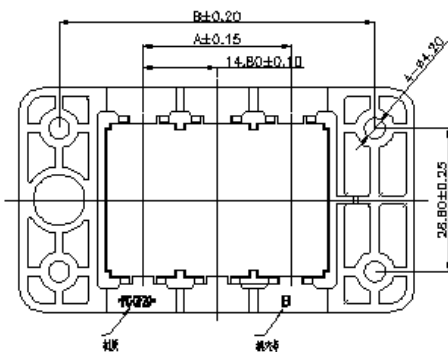
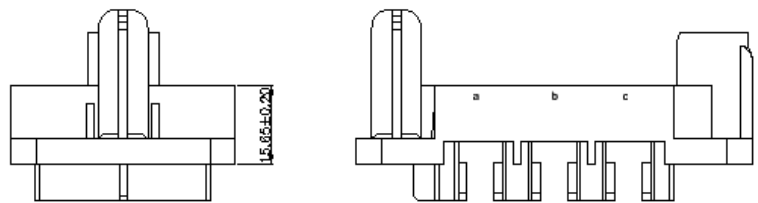
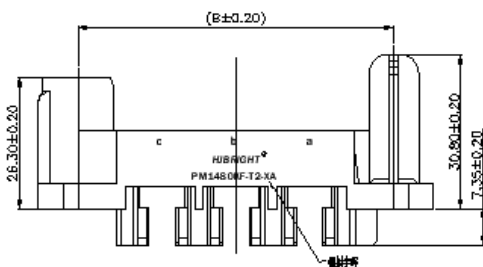
PM1480KF-T2-XA

1 2 3 4 5

- 1: — Series No.
- 2: — KF:Housing Female
- 3: — TX:T2~T8(Circuits)
- 4: — P:PBT
PC:PC
- 5: — A:In Bag



Circuits	Dimensions			
	A	B	C	D
02	14.80	48.60	64.60	38.60
03	29.80	63.40	79.40	53.40
04	44.40	78.20	94.20	68.20
05	59.20	93.00	109.00	83.00
06	74.00	107.80	123.80	97.80
07	88.80	122.60	138.60	112.60
08	103.60	137.40	153.40	127.40

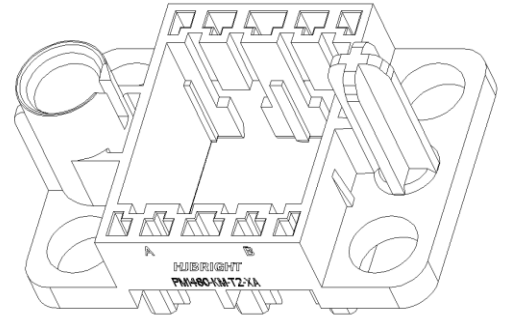


SPACING OF TWO PANELS AT CLOSE STATUS

Male Inserts

Specifications:

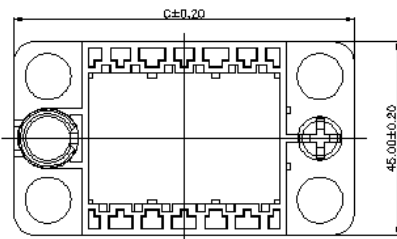
Insulator:PC UL94V-0 Color:Natural
Mating cycles:500



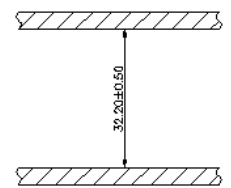
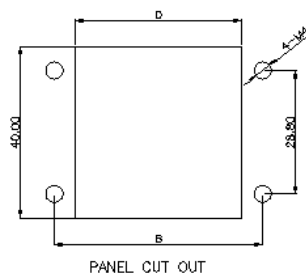
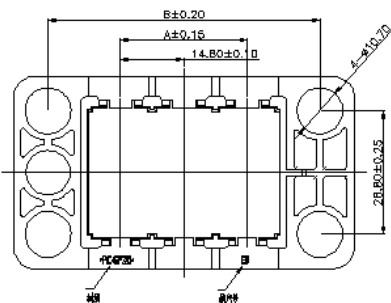
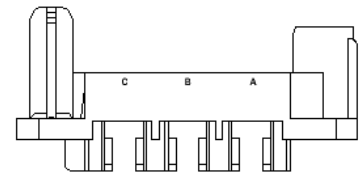
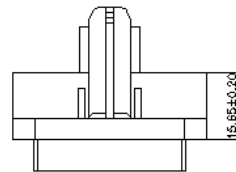
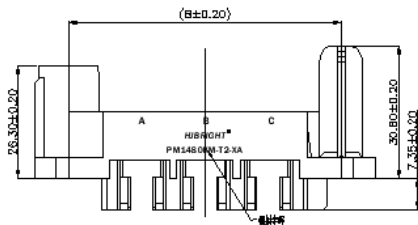
Ordering Information
PM1480KM-T2-XA

1 2 3 4 5

- 1: — Series No.
- 2: — KM:Housing Male
- 3: — TX:T2~T8(Circuits)
- 4: — P:PBT
PC:PC
- 5: — A:In Bag



Circuits	Dimensions			
	A	B	C	D
02	14.80	48.60	64.80	38.60
03	29.60	63.40	79.40	53.40
04	44.40	78.20	94.20	68.20
06	59.20	93.00	109.00	83.00
08	74.00	107.80	123.80	97.80
07	88.80	122.60	138.60	112.60
08	103.60	137.40	153.40	127.40

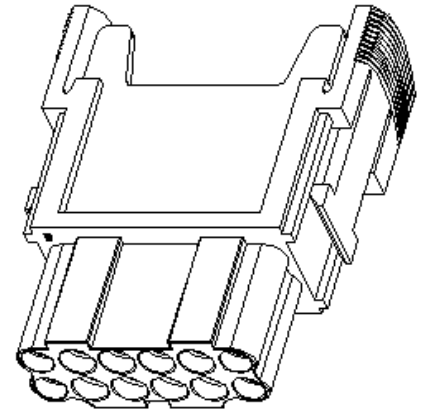


SPACING OF TWO PANELS AT CLOSE STATUS

Signal Female Connectors

Specifications:

- Insulator: PC UL94V-0 Color: Natural
- Current Rating: 10 Amp
- Voltage Rating: 250V AC/DC
- Operating Temperature Range: -40°~+125°C
- Contact resistance: 30m Ohm Max
- Insulator resistance: 400M ohm min.
- Rated Impulse voltage: 4KV
- Mating cycles: 500 cycles
- Wire range: 18~16AWG

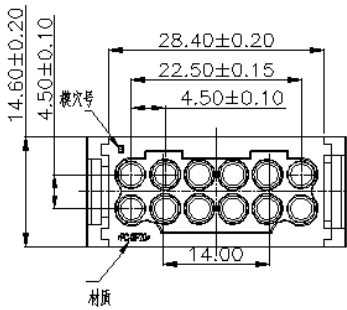


Ordering Information

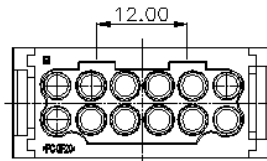
PM1480KF-12-XX-XA

1 2 3 4 5 6

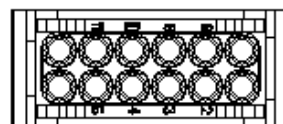
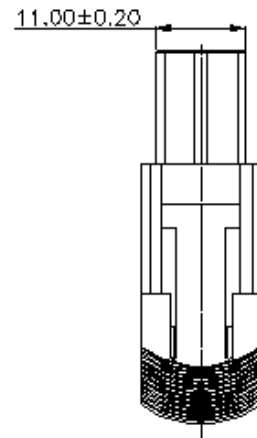
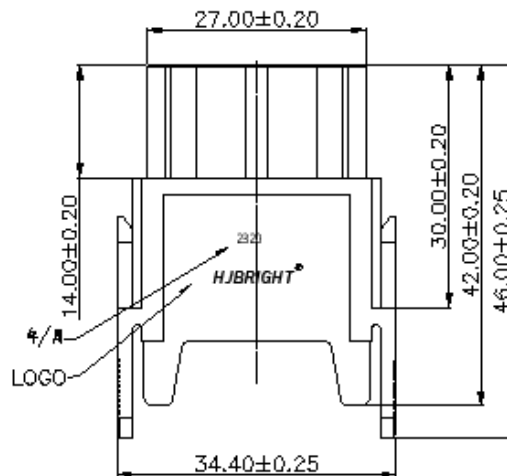
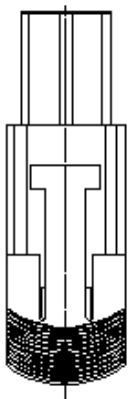
- 1: — Series No.
- 2: — KF: Housing Female
- 3: — 12: 12P: Signal Pin
- 4: — 01: 01 Type
02: 02 Type
- 5: — P: PBT
PC: PC
- 6: — A: In Bag



防呆2

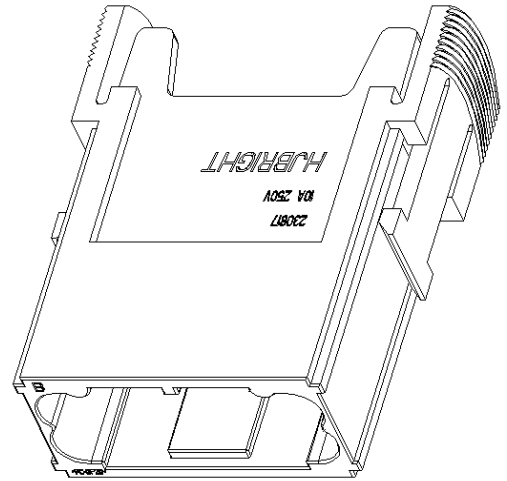


防呆1



Signal Male Connectors

Specifications:
 Insulator:PC UL94V-0 Color:Natural
 Current Rating:10 Amp
 Voltage Rating:250V AC/DC
 Operating Temperature Range:-40°~+125°C
 Contact resistance:30m Ohm Max
 Insulator resistance:400M ohm min.
 Rated Impulse voltage:4KV
 Mating cycles:500 cycles
 Wire range:18~16AWG)

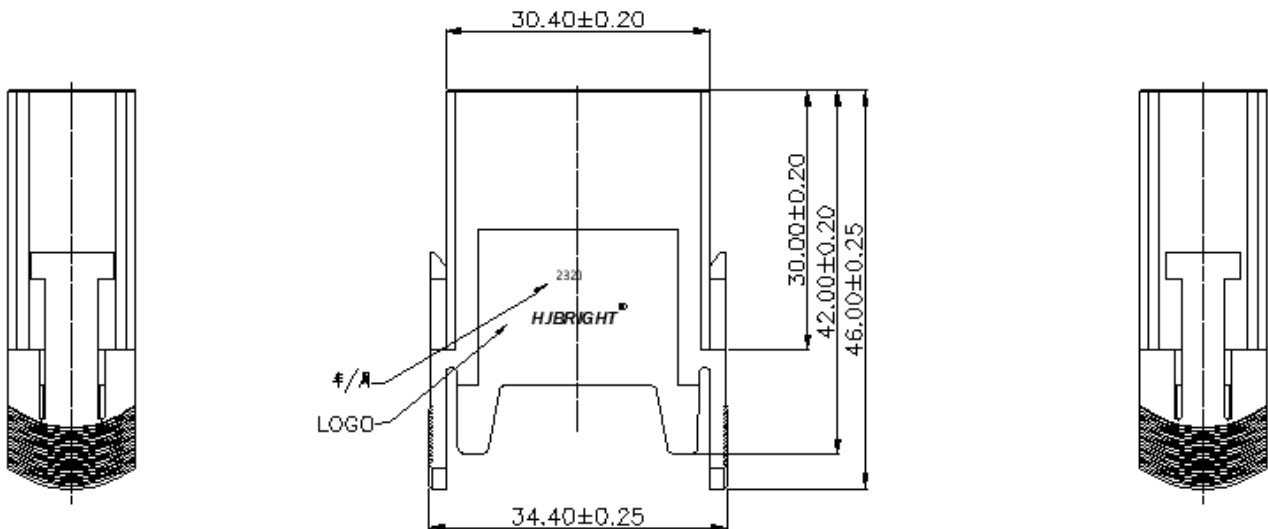
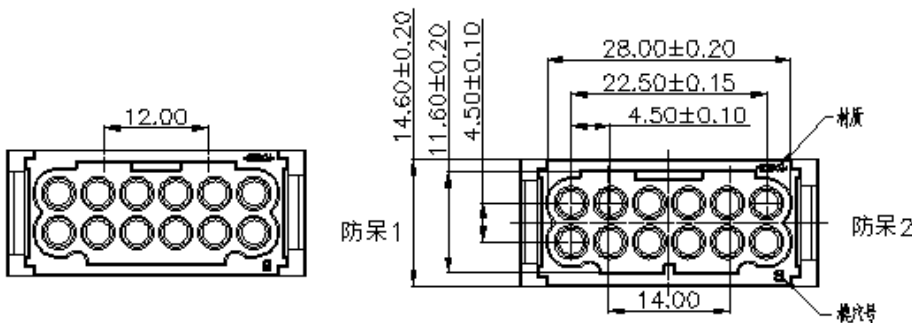


Ordering Information

PM1480KM-12-XX-XA

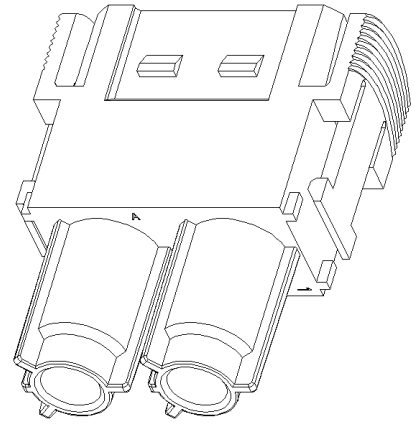
1 2 3 4 5 6

- 1: — Series No.
- 2: — KF:Housing Male
- 3: — 12:12P:Signal Pin
- 4: — 01:01 Type
02:02 Type
- 5: — P:PBT
PC:PC
- 6: — A:In Bag



POWER Female Connectors

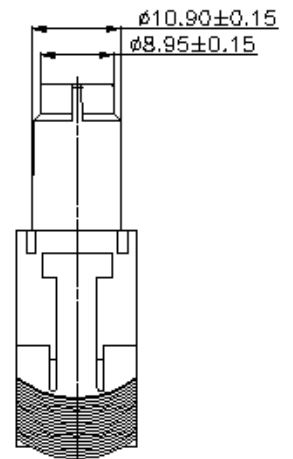
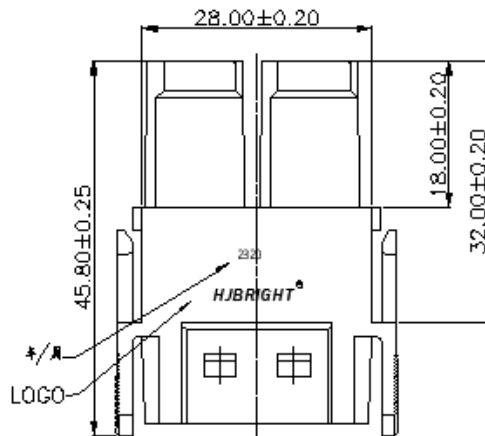
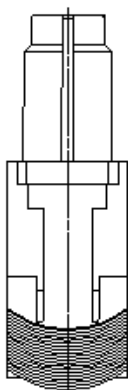
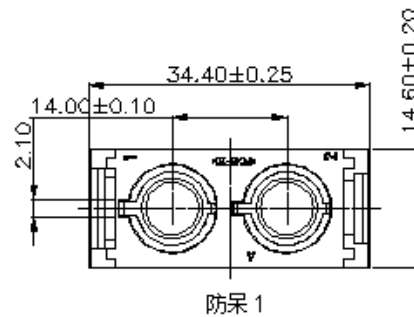
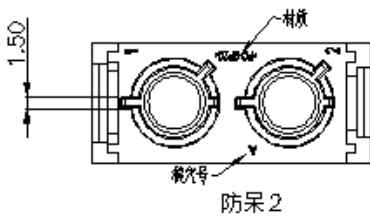
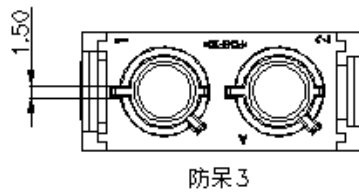
Specifications:
 Insulator:PC UL94V-0 Color:Natural
 Current Rating:70 Amp
 Voltage Rating:1000V AC/DC
 Operating Temperature Range:-40°~+125°C
 Contact resistance:30m Ohm Max
 Insulator resistance:400M ohm min.
 Rated Impulse voltage:8KV
 Mating cycles:500 cycles
 Wire range:10~25mm²



Ordering Information
 PM1480KF-02-XX-XA

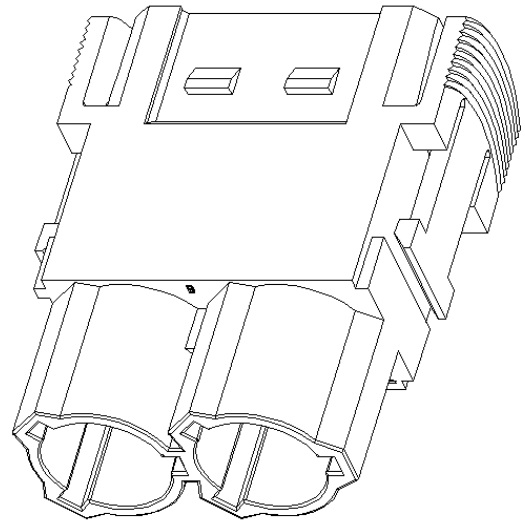
1 2 3 4 5 6

- 1: — Series No.
- 2: — KF:Housing Female
- 3: — 02P:Power PIN
- 4: — 01:01 Type
02:02 Type
03:03 Type
- 5: — P:PBT
PC:PC
- 6: — A:In Bag



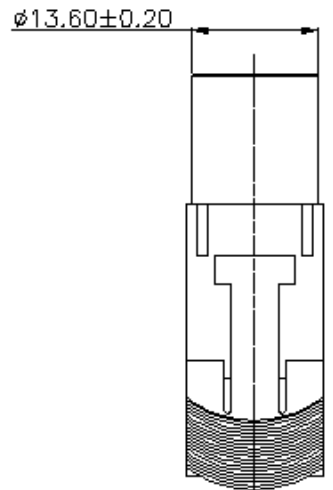
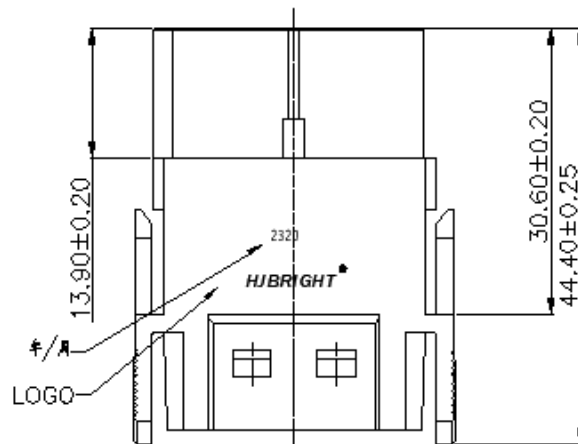
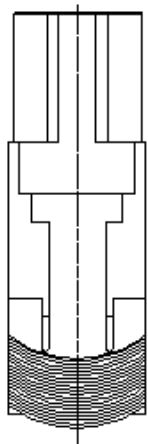
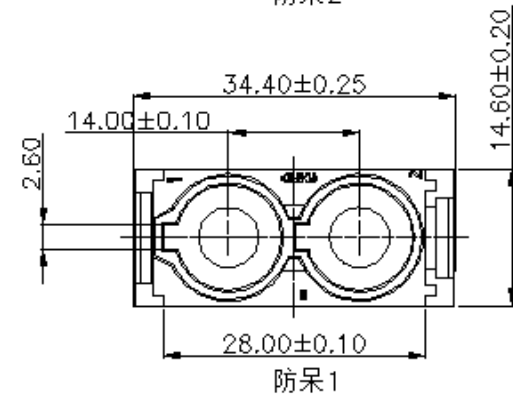
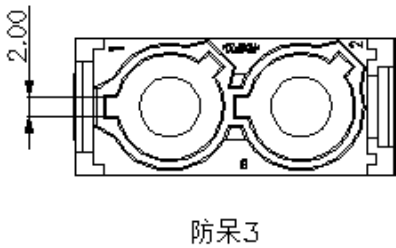
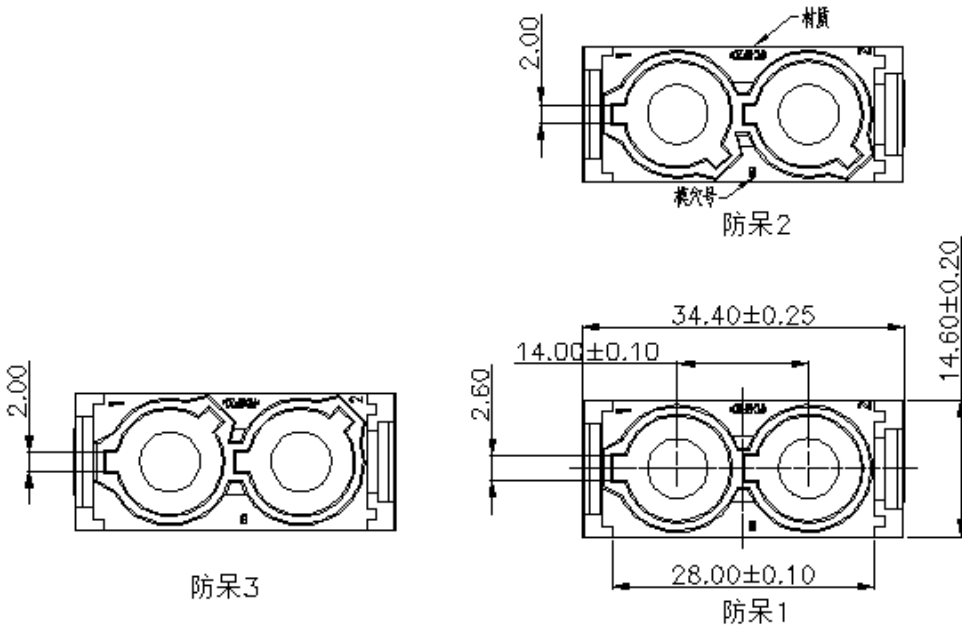
POWER Male Connectors

Specifications:
 Insulator:PC UL94V-0 Color:Natural
 Current Rating:70 Amp
 Voltage Rating:1000V AC/DC
 Operating Temperature Range:-40~+125°C
 Contact resistance:30m Ohm Max
 Insulator resistance:400M ohm min.
 Rated Impulse voltage:8KV
 Mating cycles:500 cycles
 Wire range:10~25mm²



Ordering Information
 PM1480KM-02-XX-XA
 1 2 3 4 5 6

- 1: — Series No.
- 2: — KF:Housing Male
- 3: — 02P:Power PIN
- 4: — 01:01 Type
02:02 Type
- 5: — P:PBT
PC:PC
- 6: — A:In Bag



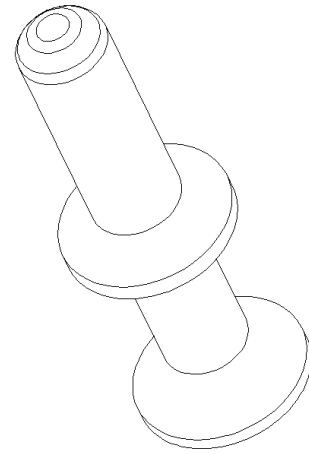
POWER Male PIN

Specifications:

Material:C14500

Mating cycles:500

Stripping length(mm):15

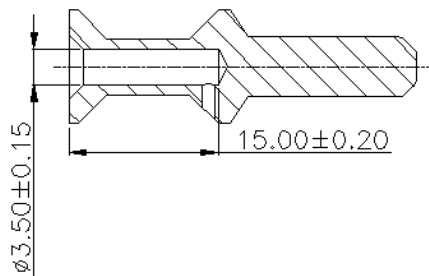
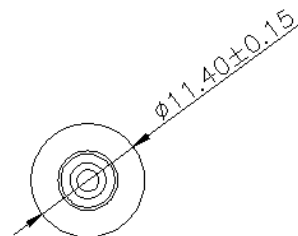
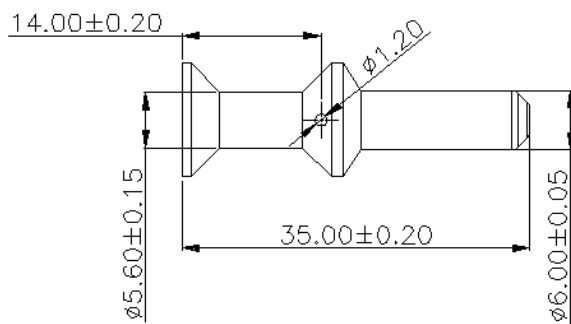


Ordering Information

PM1480TM-02P-XX

1 2 3 4 5

- 1: — Series No.
- 2: — TM:Male Terminal
- 3: — 02P:Power PIN
- 4: — B:Brass
P:Phosphor copper
G:high conductivity copper
- 5: — AG:Silvering Plated
S:Matte Tin Plated
Q:Tin Plated



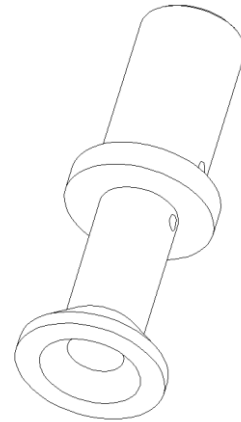
POWER Female PIN

Specifications:

Material:C14500

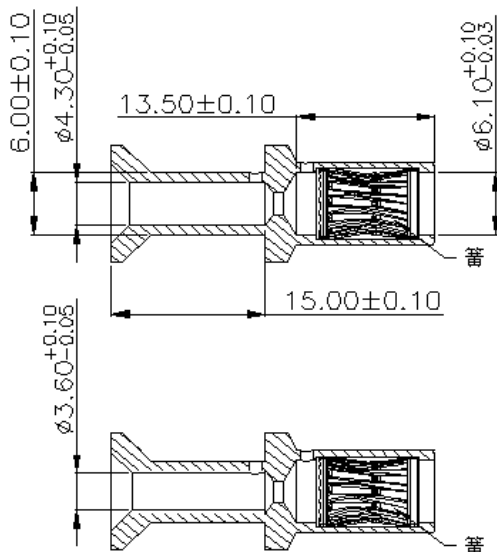
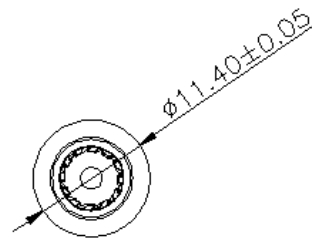
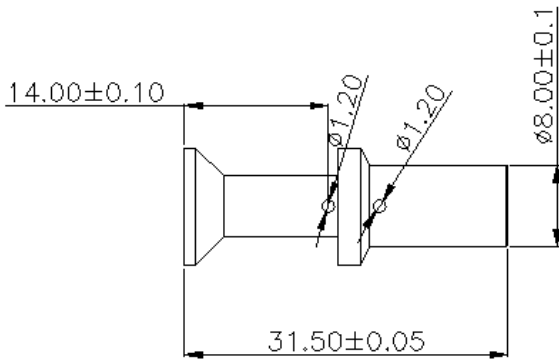
Mating cycles:500

Stripping length(mm):15



Ordering Information
 PM1480TF-02P-XX-XX
 1 2 3 45 6

- 1: — Series No.
- 2: — TF:Female Terminal
- 3: — 02P:Power PIN
- 4: — B:Brass
 P:Phosphor copper
 G:high conductivity copper
- 5: — AG:Silvering Plated
 S:Matte Tin Plated
 Q:Tin Plated
- 6: — 01:ø4.3 Current Rating 70A
 02:ø3.6 Current Rating 40A



70A PM1480TF-02P-XX-01

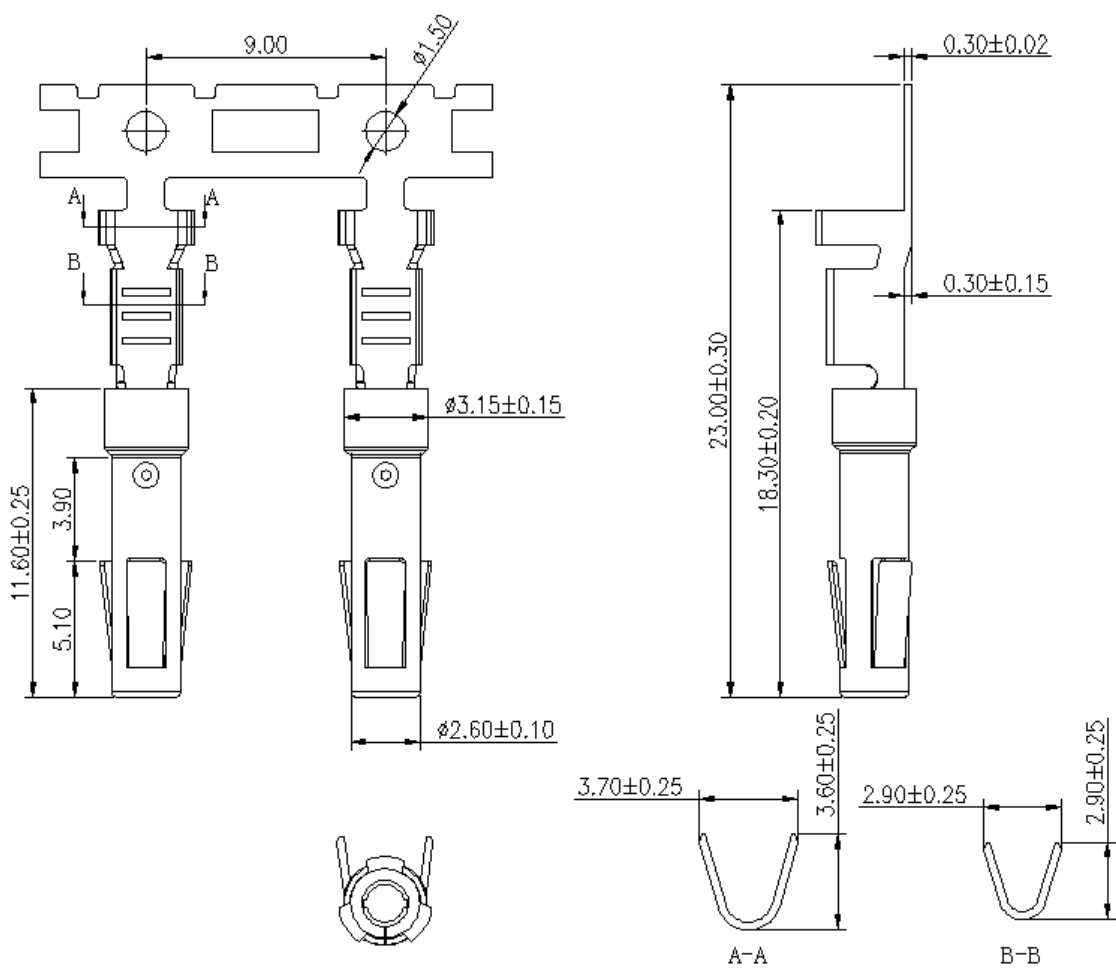
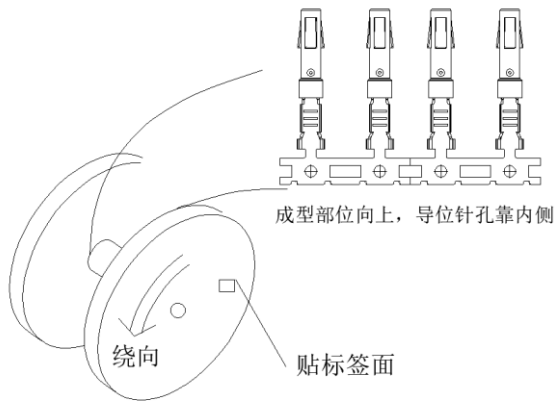
40A PM1480TF-02P-XX-02

Signal Female Terminal

Specifications:
 Conductor:C5191
 Shell:SUS301
 Mating cycles:500

Ordering Information
 PM1480TF-12S-XX

- 1: — Series No.
- 2: — TF:Female Terminal
- 3: — 12S:Signal Pin
- 4: — B:Brass
 P:Phosphor copper
 G:high conductivity copper
- 5: — AG:Silvering Plated
 S:Matte Tin Plated
 Q:Tin Plated



Signal Male Terminal

Specifications:
 Conductor:C5191
 Shell:SUS301
 Mating cycles:500

Ordering Information
 PM1480TM-12S-XX
 1 2 3 4 5

- 1: — Series No.
- 2: — TM:Male Terminal
- 3: — 12S:Signal Pin
- 4: — B:Brass
 P:Phosphor copper
 G:high conductivity copper
- 5: — AG:Silvering Plated
 S:Matte Tin Plated
 Q:Tin Plated

