

RoHS Compliant

Specifications:

Material And Finish:

Insulator: Polyamide UL94V-0 Color: Green

Contact: Copper Alloy

Plated: See Ordering Information

Rating:

Current Rating: 10 Amps

Voltage Rating: 300V AC

Operating Temperature Range: -40°~+105°C

Electrical:

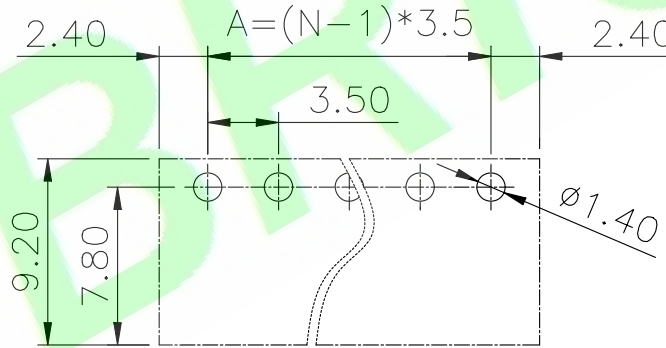
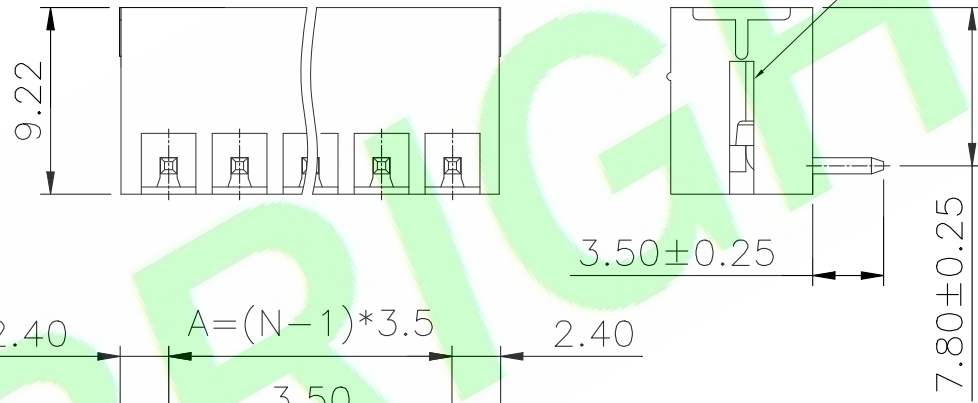
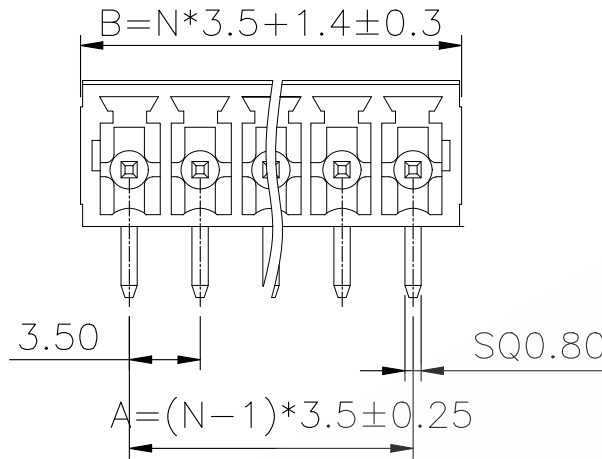
Contact resistance: 20m Ohm Max

Withstanding Voltage: 2500V AC/Minute

Ordering Information

15B35D1RM-XXX-01-XX
 1 23 4 5 67

- 1: — Series No.
- 2: — R:R/A Type
- 3: — M:Male
- 4: — No. of Positions
- 5: — S:Matte Tin Plated
- 6: — G:Green
 B:Black
 L:Blue
 R:Red
 N:Natural
 O:Orange
 Y:Yellow
 A:Gray
 P:Purple
- 7: — A:In Bag
 B:In Tube
 C:In Tray



PIN	Dimension	
	A	B
02	3.5	7.4
03	7.0	11.9
04	10.5	15.4
05	14.0	18.9
06	17.5	22.4
07	21.0	25.9
08	24.5	29.4
09	28.0	32.9
10	31.5	36.4
11	35.0	39.9
12	38.5	43.4
13	42.0	46.9
14	45.5	50.4
15	49.0	53.9
16	52.5	57.4
17	56.0	60.9
18	59.5	64.4
19	63.0	67.9
20	66.5	71.4
21	70.0	74.9
22	73.5	78.4
23	77.0	81.9
24	80.5	85.4

DR.BY: Judyyan	GENERAL TOLERANCE:		PART NO : 15B35D1SM-XXX-01-XX
CHKD.: Tony	LINEAR	ANGLES	DWG. NO.:
APPD.: Billy	>30 ±0.20	x: ±5.0°	TITLE :
	6~30 ±0.30	x.x: ±3.0°	3.50mm Pitch R/A Type
	0~6 ±0.10	x.xxx: ±1.0°	Male Terminal Block(02~24P)
			DATE: 2-Mar-2024

HJBRIGHT 東莞市華晶電子有限公司
 BRIGHT-E ELECTRONIC TECHNOLOGY LIMITED

SHEET: 1/1
 SCALE: 1:1
 UNIT: mm

THIRD ANGLE PROJECTION

A4

1X	ORIGINAL	Judyyan	
REV.	DESCRIPTION	DR.BY	ECN. NO.