

RoHS Compliant

Specifications:

Material And Finish:

Insulator: Polyamide UL94V-0 Color: Green

Contact: Copper Alloy

Plated: See Ordering Information

Wire range: 16~26AWG

Rating:

Current Rating: 10 Amps

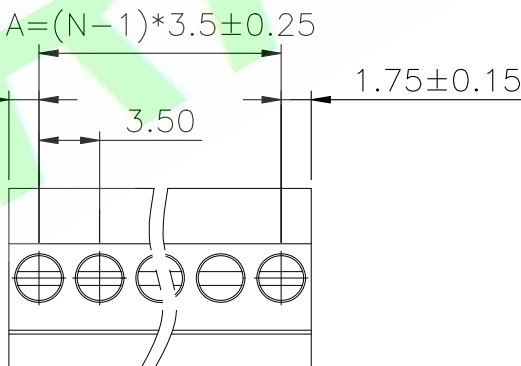
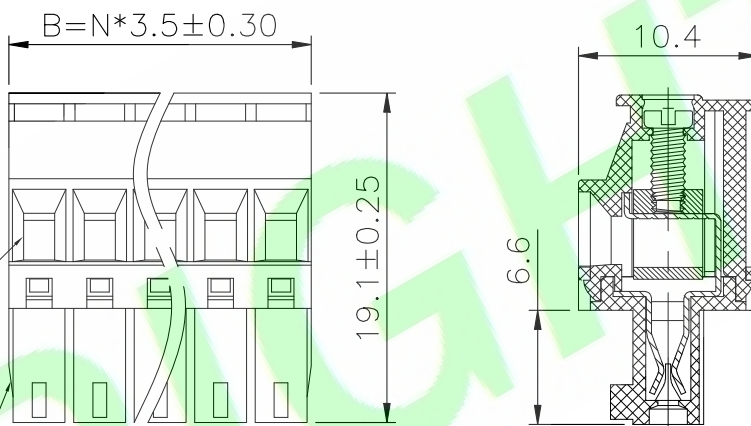
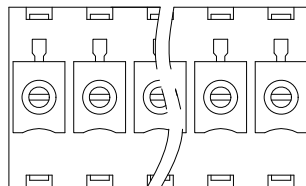
Voltage Rating: 300V AC

Operating Temperature Range: -40~+105°C

Electrical:

Contact resistance: 20m Ohm Max

Withstanding Voltage: 2500V AC/Minute



| PIN | Dimension | |
|-----|-----------|------|
| | A | B |
| 2 | 3.5 | 7.0 |
| 3 | 7.0 | 10.5 |
| 4 | 10.5 | 14.0 |
| 5 | 14.0 | 17.5 |
| 6 | 17.5 | 21.0 |
| 7 | 21.0 | 24.5 |
| 8 | 24.5 | 28.0 |
| 9 | 28.0 | 31.5 |
| 10 | 31.5 | 35.0 |
| 11 | 35.0 | 38.5 |
| 12 | 38.5 | 42.0 |
| 13 | 42.0 | 45.5 |
| 14 | 45.5 | 49.0 |
| 15 | 49.0 | 52.5 |
| 16 | 52.5 | 56.0 |
| 17 | 56.0 | 59.5 |
| 18 | 59.5 | 63.0 |
| 19 | 63.0 | 66.5 |
| 20 | 66.5 | 70.0 |
| 21 | 70.0 | 73.5 |
| 22 | 73.5 | 77.0 |
| 23 | 77.0 | 80.5 |
| 24 | 80.5 | 84.0 |

Ordering Information

15W35D1RF-XXX-01-XX
 1 23 4 5 67

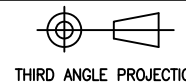
- 1: — Series No.
- 2: — R:R/A Type
- 3: — F:Female
- 4: — No. of Positions
- 5: — S:Matte Tin Plated
- 6: — G:Green
 B:Black
 L:Blue
 R:Red
 N:Natural
 O:Orange
 Y:Yellow
 A:Gray
 P:Purple
- 7: — A:In Bag
 B:In Tube
 C:In Tray

2P To 6P With wedge,
 above 7P Without wedge
 (including 7P)

| | | | |
|--------------------|--------------------|---------------|-------------------------------|
| DR.BY.: Judyyan | GENERAL TOLERANCE: | | PART NO : 15W35D1RF-XXX-01-XX |
| CHKD.: Tony | LINEAR | ANGLES | DWG. NO.: |
| APPD.: Billy | >30 ±0.30 | x: ±5.0° | TITLE : |
| | 6~30 ±0.20 | x.x: ±3.0° | 3.50mm Pitch R/A Type |
| | 0~6 ±0.10 | x.xxx: ±2.0° | Female Terminal Block(02~24P) |
| | | x.xxxx: ±1.0° | DATE: 2-Mar-2024 |

HJBRIGHT 东莞市華晶電子有限公司
 BRIGHT-E ELECTRONIC TECHNOLOGY LIMITED

SHEET: 1/1
 SCALE: 1:1
 UNIT: mm



A4

| | | | |
|------|-------------|---------|----------|
| 1X | ORIGINAL | Judyyan | |
| REV. | DESCRIPTION | DR.BY | ECN. NO. |