

RoHS Compliant

Specifications:

Material And Finish:

Insulator: Polyamide UL94V-0 Color: Green

Contact: Copper Alloy

Plated: See Ordering Information

Wire range: 16~26AWG

Rating:

Current Rating: 10 Amps

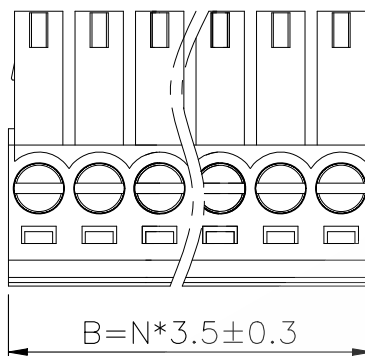
Voltage Rating: 300V AC

Operating Temperature Range: -40~+105°C

Electrical:

Contact resistance: 20m Ohm Max

Withstanding Voltage: 2500V AC/Minute

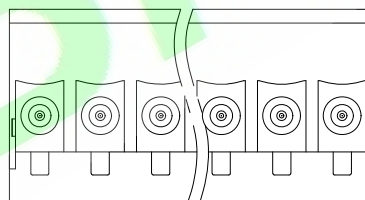
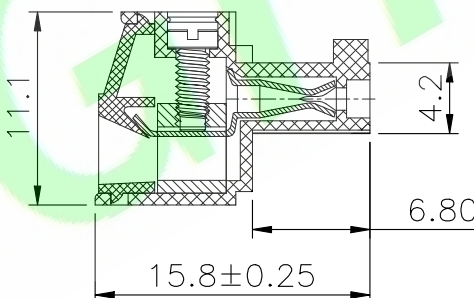
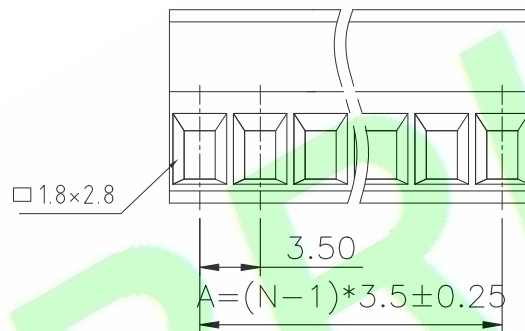


2P To 6P With wedge, above 7P
Without wedge (including 7P)

Ordering Information

15W35D1SF-XXX-01-XX
1 23 4 5 67

- 1: — Series No.
- 2: — S: Straight Type
- 3: — F: Female
- 4: — No. of Positions
- 5: — S: Matte Tin Plated
- 6: — G: Green
B: Black
L: Blue
R: Red
N: Natural
O: Orange
Y: Yellow
A: Gray
P: Purple
- 7: — A: In Bag
B: In Tube
C: In Tray



PIN	Dimension	
	A	B
2	3.5	6.0
3	4.5	7.0
4	5.5	8.0
5	6.5	9.0
6	7.5	10.0
7	8.5	11.0
8	9.5	12.0
9	10.5	13.0
10	11.5	14.0
11	12.5	15.0
12	13.5	16.0
13	14.5	17.0
14	15.5	18.0
15	16.5	19.0
16	17.5	20.0
17	18.5	21.0
18	19.5	22.0
19	20.5	23.0
20	21.5	24.0
21	22.5	25.0
22	23.5	26.0
23	24.5	27.0
24	25.5	28.0

DR.BY: Judyyan	GENERAL TOLERANCE:		PART NO : 15W35D1SF-XXX-01-XX
CHKD.: Tony	LINEAR	ANGLES	DWG. NO.:
APPD.: Billy	>30 ±0.20	x: ±5.0°	TITLE : 3.50mm Pitch Straight Type Female Terminal Block(02~24P)
	6~30 ±0.30	x.x: ±3.0°	DATE: 2-Mar-2024
	0~6 ±0.10	x.xxx: ±1.0°	

HJBRIGHT 东莞市華晶電子有限公司
BRIGHT-E ELECTRONIC TECHNOLOGY LIMITED

SHEET: 1/1
SCALE: 1:1
UNIT: mm

THIRD ANGLE PROJECTION

A4

1X	ORIGINAL	Judyyan	
REV.	DESCRIPTION	DR.BY	ECN. NO.