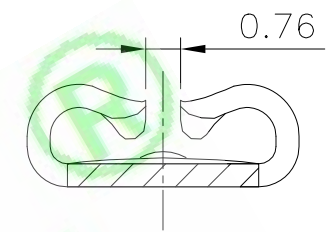
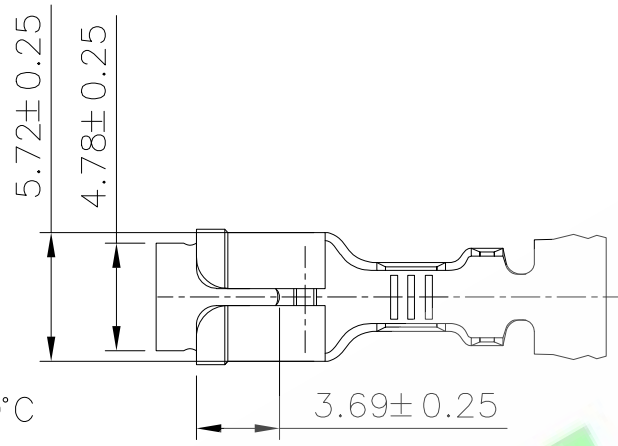


Specifications:  
 Material And Finish:  
 Contact:Brass T=0.50mm  
 Plated:Matte Tin Plated  
 Applicable wire :18~ 22AWG

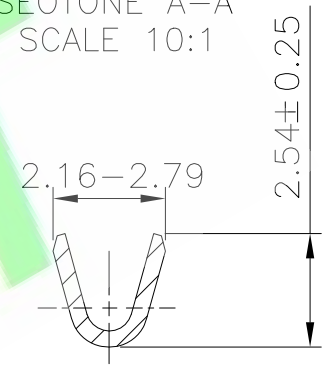
Electrical:  
 Max voltage Temperature:600V  
 Operating Temperature Range:-40~ +110°C

Ordering Information  
**187BSF-W04B-TW-R**  
 1 2 3 4

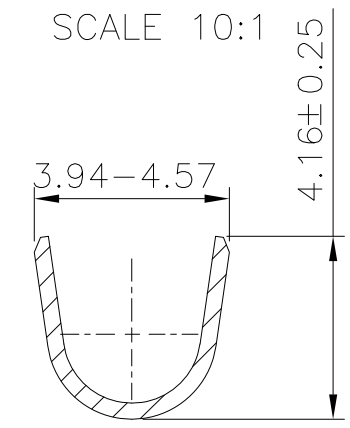
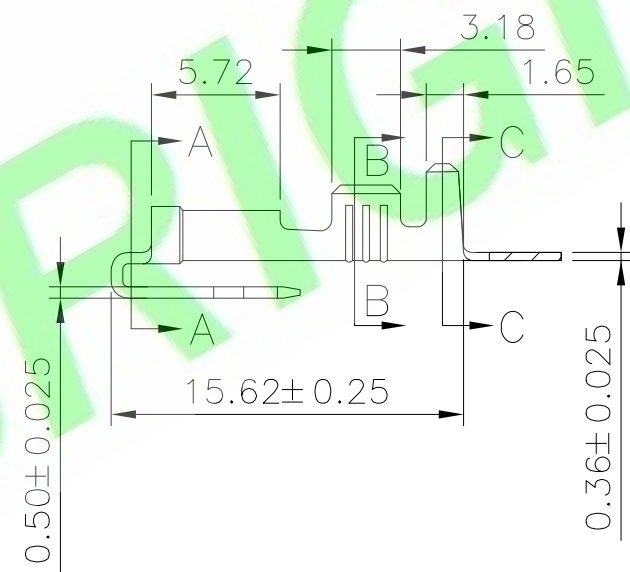
- 1: — Series No.
- 2: — B:18-22AWG
- 3: — TW:Matte Tin Plated
- 4: — R:Continuous Strip on Reels



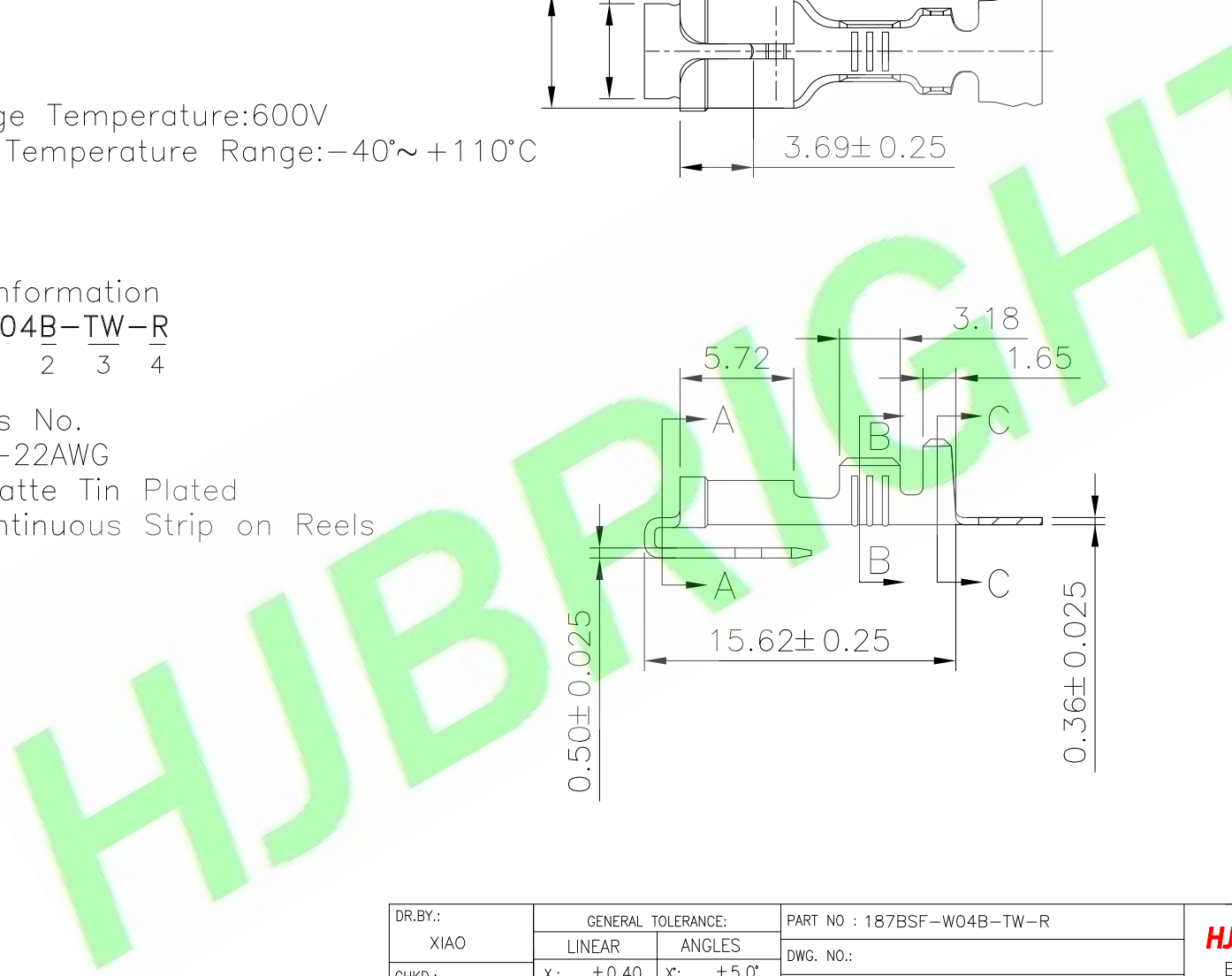
SEOTONE A-A  
SCALE 10:1



SEOTONE B-B  
SCALE 10:1



SEOTONE C-C  
SCALE 10:1



DR.BY.: XIAO	GENERAL TOLERANCE:		PART NO : 187BSF-W04B-TW-R	
CHKD.: Tony	LINEAR	ANGLES	DWG. NO.:	
APPD.: Billy	x.: ±0.40	x': ±5.0°	TITLE :	
	x.x: ±0.30	x.x': ±3.0°	187 Straight locking Female Terminal	
	x.xx: ±0.25	x.xx': ±2.0°	DATE: 3-Mar-2025	
	x.xxx: ±0.10	x.xxx': ±1.0°		

**HJBRIGHT**® 東莞市華晶電子有限公司  
 BRIGHT-E ELECTRONIC TECHNOLOGY LIMITED

SHEET: 1/1  
 SCALE: 1:1  
 UNIT: mm

THIRD ANGLE PROJECTION

**A4**

1X	ORIGINAL	XIAO	
REV.	DESCRIPTION	DR.BY	ECN. NO