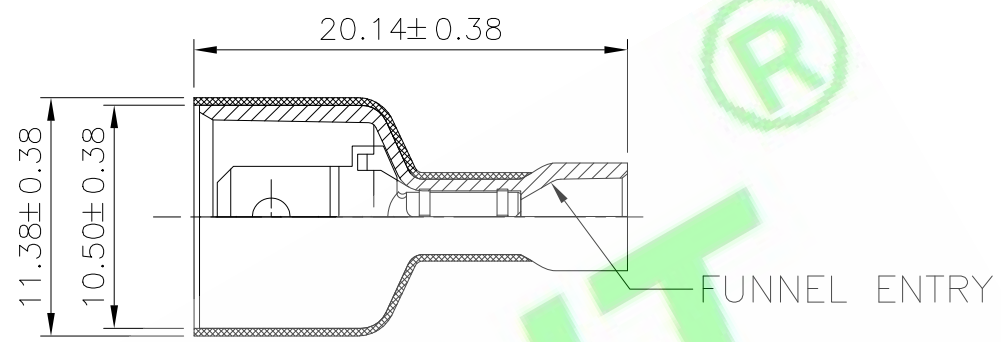


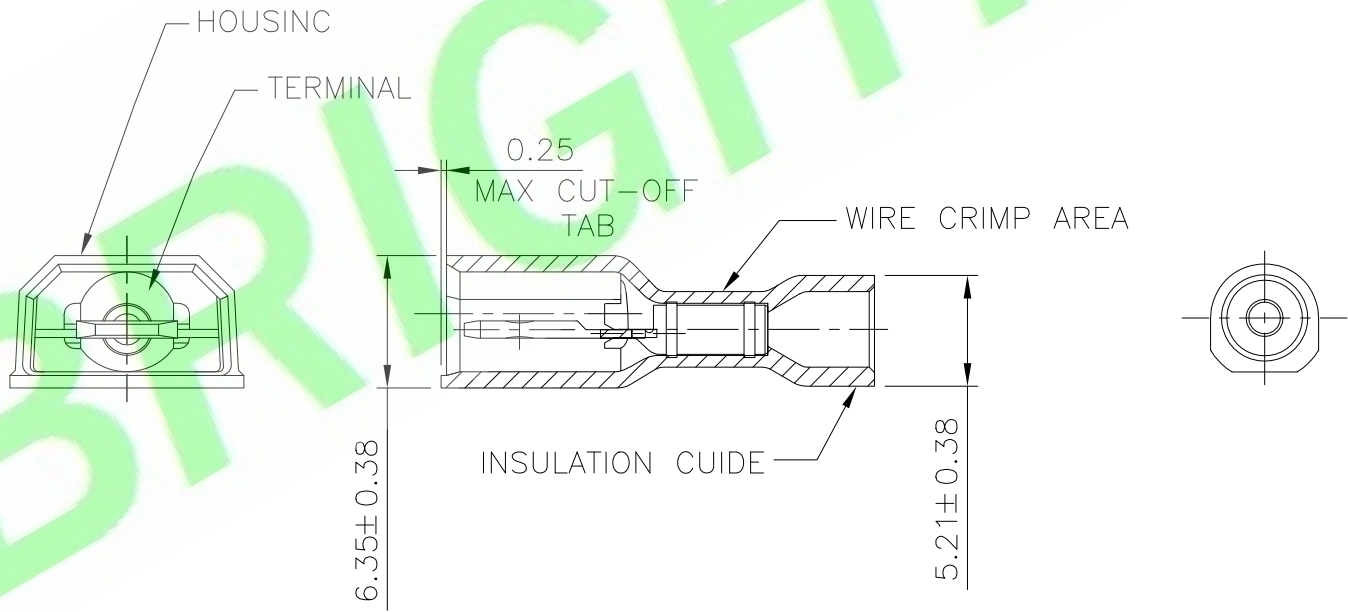
Specifications:
 Material: Brass
 Plated: Matte Tin Plated
 Insulator: Nylon UL94V-2
 Wire Range: AWG#22~18
 Connection Table: 4.75*0.8mm

Electrical:
 Max voltage Temperature: 600V
 Operating Temperature Range: -40°~ +110°C



Ordering Information
187BSM-W05B-TW-RX
 1 2 3 4 5

- 1: — Series No.
- 2: — B: 18-22AWG
- 3: — TW: Matte Tin Plated
- 4: — R: Red
- 5: — A: In Bag
 R: Continuous Strip on Reels



DR.BY.: xiao	GENERAL TOLERANCE:		PART NO : 187BSM-W05B-TW-RX	
CHKD.: Aren	LINEAR	ANGLES	DWG. NO.:	
APPD.: Billy	x.: ±0.48	x': ±5.0°	TITLE : Insulated Terminal Connection Male Red	
ECN. NO.	x.x: ±0.43	x.x': ±3.0°	DATE: 10-Apr-2025	
	x.xx: ±0.38	x.xx': ±2.0°		
	x.xxx: ±0.33	x.xxx': ±1.0°		

HJBRIGHT® 東莞市華晶電子有限公司
 BRIGHT-E ELECTRONIC TECHNOLOGY LIMITED

SHEET: 1/1
 SCALE: 1:1
 UNIT: mm

THIRD ANGLE PROJECTION

A4

1X	ORIGINAL	xiao	
REV.	DESCRIPTION	DR.BY	ECN. NO.