

Specifications:

Material And Finish:

Insulator:Nylon 6T UL94V-0 Color:Black

Contact:Brass

Plated:See Ordering Information

Rating:

Current Rating:2.0 Amp

Voltage Rating:150V AC/DC

Operating Temperature Range:-40~+105°C

Electrical:

Contact resistance:20m Ohm Max

Insulator resistance:1000M ohm min.

Withstanding Voltage:500V AC/Minute

Ordering Information

20012R-XXX097-NX

1 2 3 4 5

1: Series No.

2: R/A Type

3: No. of Positions

4: A:Gold Flash

D:Gold 10u"

H>Selective Gold Plated

Q:Tin 100u" Plated

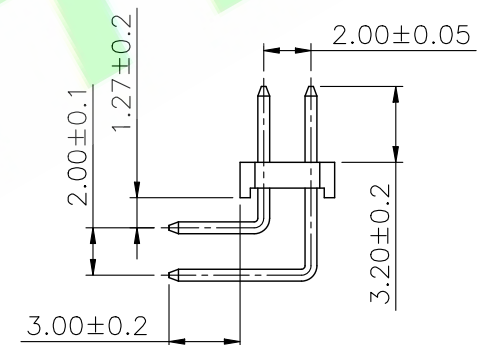
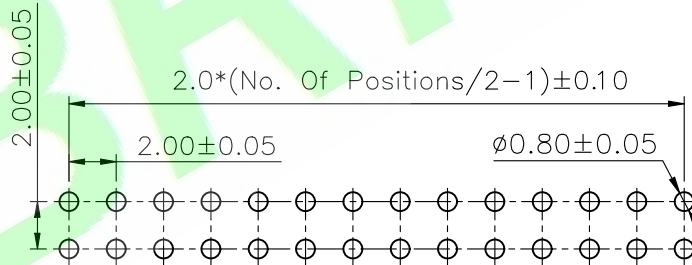
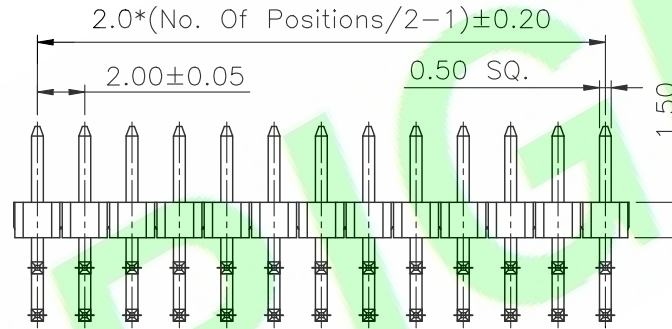
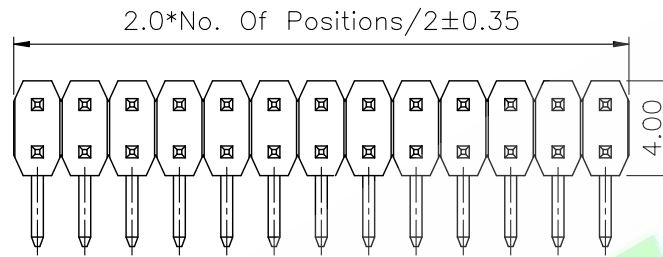
W:Tin 150u" Plated

S:Matte Tin Plated

5: A:In bag

B:In Tube

C:In Tray

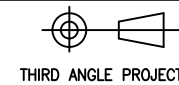


Recommended PCB Layout

DR.BY: joy chen	GENERAL TOLERANCE:		PART NO : 20012R-XXX097-NX	
	LINEAR	ANGLES	DWG. NO.: RD0808-002	
CHKD.: jerry Liu	X.: ±0.30	X': ±5.0°	TITLE : 2.0mm Pitch Pin Header R/A Type	
	X.X: ±0.20	X.X': ±3.0°	DATE: 19-Aug-2008	
APPD.: Peter Li	X.XX: ±0.15	X.XX': ±2.0°		
	X.XXX: ±0.10	X.XXX': ±1.0°		

HJBRIGHT 東莞市華晶電子有限公司
BRIGHT-E ELECTRONIC TECHNOLOGY LIMITED

SHEET: 1/1
SCALE: 1:1
UNIT: mm



A4

1X	ORIGINAL	joy chen	
REV.	DESCRIPTION	DR.BY	ECN. NO.