

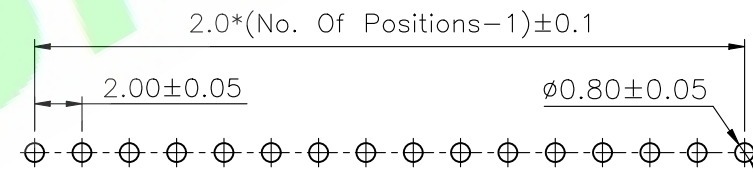
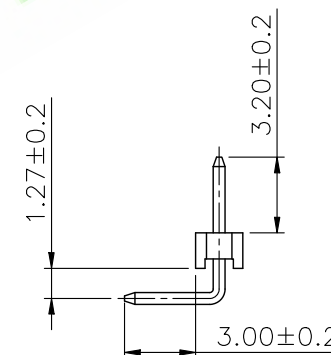
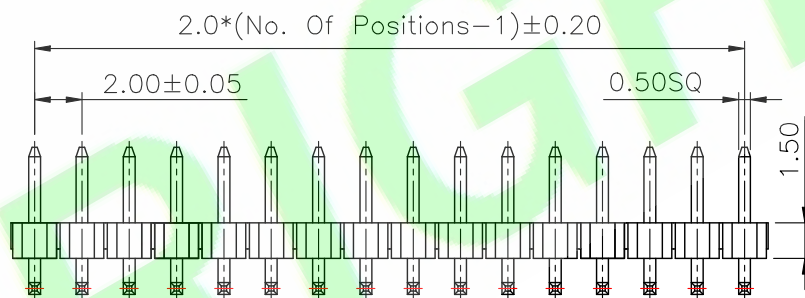
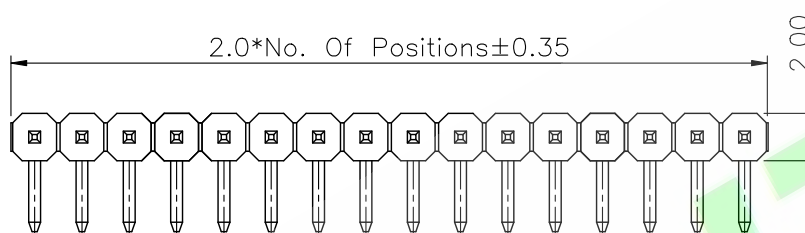
Specifications:
 Material And Finish:
 Insulator:Nylon6T UL94V-0 Color:Black
 Contact:Brass
 Plated:See Ordering Information

Rating:
 Current Rating:2.0 Amp
 Voltage Rating:150V AC/DC
 Operating Temperature Range:-40~+105°C

Electrical:
 Contact resistance:20m Ohm Max
 Insulator resistance:1000M ohm min.
 Withstanding Voltage:500V AC/Minute

Ordering Information
 20021R-XXX097-NX
 1 2 3 4 5

- 1: — Series No.
- 2: — R/R/A Type
- 3: — No. of Positions
- 4: — A:Gold Flash
 D:Gold 10u”
 H>Selective Gold Plated
 Q:Tin 100u” Plated
 S:Matte Tin Plated
 Y:30u” Gold contact;Matte tin on tail
- 5: — A:In bag
 B:In Tube
 C:In Tray



Recommended PCB Layout

1X	ORIGINAL	Joy chen	
REV.	DESCRIPTION	DR.BY	ECN. NO.

DR.BY: Joy chen	GENERAL TOLERANCE:		PART NO : 20021R-XXX097-NX
	LINEAR	ANGLES	
CHKD.: Kenry	x.: ±0.30	x': ±5.0°	DWG. NO.: RD0809-006
	x.x: ±0.20	x.x': ±3.0°	
APPD.: Billy	x.xx: ±0.15	x.xx': ±2.0°	TITLE : 2.0mm Pitch Pin Header R/A Type
	x.xxx: ±0.10	x.xxx': ±1.0°	
DATE: 02-Sep-2018			

HJBRIGHT® 東莞市華晶電子有限公司
 BRIGHT-E ELECTRONIC TECHNOLOGY LIMITED

SHEET: 1/1
 SCALE: 1:1
 UNIT: mm

THIRD ANGLE PROJECTION

A4