

Specifications:

Material And Finish:

Insulator:PA46[TS250F8],UL94V-0

Contact:Copper Alloy

Plated:See Ordering Information

Rating:

Current Rating:0.5 Amp

Voltage Rating:50V AC/DC

Operating Temperature Range:-25~+85°C

Electrical:

Contact resistance:20m Ohm Max

Insulator resistance:100M ohm min.

Withstanding Voltage:200V AC/Minute

Ordering Information

H0801-XXX

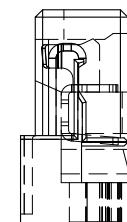
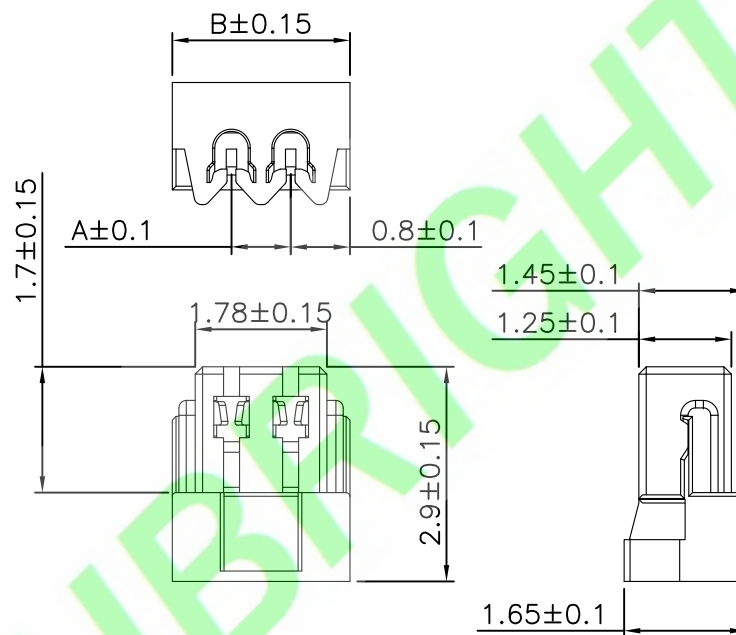
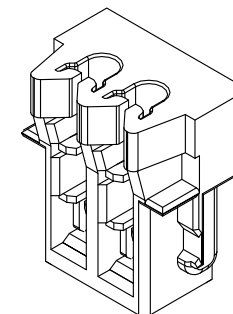
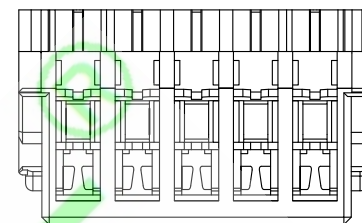
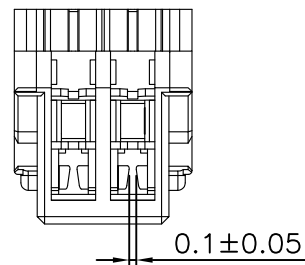
1 2 3

1:— Series No.

2:— No. of Positions

3:— A:Gold Flash

Q: Tin Plated



Circuits	Dimension mm	
	A	B
2	0.80	2.40
3	1.60	3.20
4	2.40	4.00
5	3.20	4.80
6	4.00	5.60
8	5.60	7.20
10	7.20	9.60
12	8.80	10.40
14	10.40	12.00
15	11.20	12.80
16	12.00	13.60
17	12.80	14.40
20	15.20	16.80
22	16.80	18.40

RoHS Compliant

5X			
4X			
3X			
2X			
1X	ORIGINAL	joy chen	
REV.	DESCRIPTION	DR.BY	ECN. NO.

DR.BY:	joy chen
CHKD.:	<i>jerry Liu</i>
APPD.:	<i>Peter Li</i>

GENERAL TOLERANCE:		PART NO : H0801-XXX
LINEAR	ANGLES	DWG. NO.: RD0806-301
X.: ±0.30	X': ±5.0°	TITLE :
X.X: ±0.20	X.X': ±3.0°	0.8mm Pitch Clip Housing H:2.90 W:1.65
X.XX: ±0.15	X.XX': ±2.0°	DATE: 02-Jun-2008
X.XXX: ±0.10	X.XXX': ±1.0°	

BRIGHT 東莞市常平華晶電子廠
Dong Guan Bright Electronic Factory

SHEET:	1/1
SCALE:	1:1
UNIT:	mm



THIRD ANGLE PROJECTION

A4