

Specifications:  
 Material And Finish:  
 Insulator:Nylon 6T UL94V-0  
 Contact:Copper Alloy  
 Plated:See Ordering Information

Rating:  
 Current Rating:1.0 Amp  
 Voltage Rating:50V AC/DC  
 Operating Temperature Range:-25~+85°C

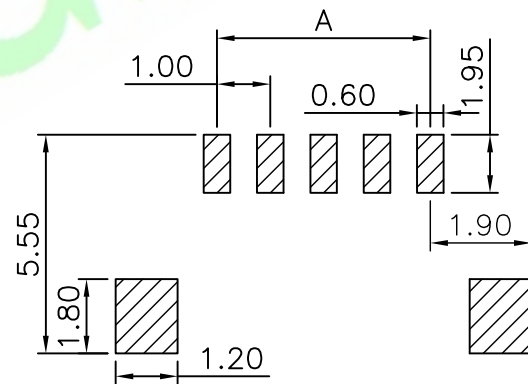
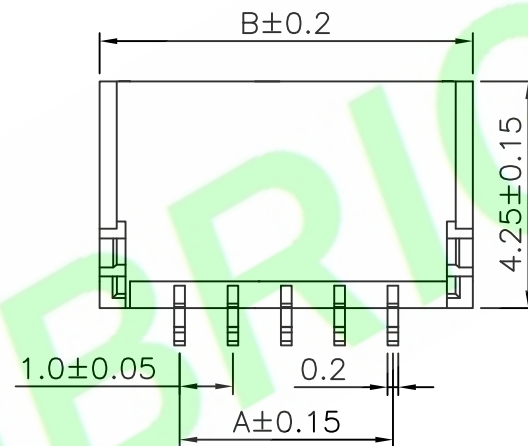
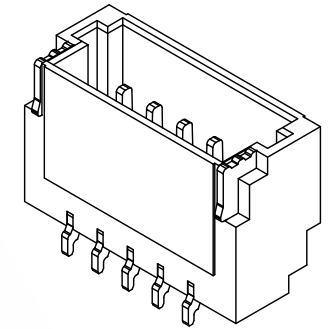
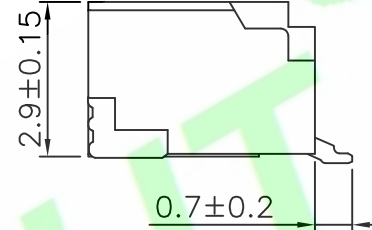
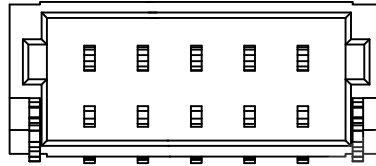
Electrical:  
 Contact resistance:20m Ohm Max  
 Insulator resistance:100M ohm min.  
 Withstanding Voltage:500V AC/Minute

**Ordering Information**

**A1001H-XXX-01-X**

1 2 3 4 5

- 1: — Series No.
- 2: — H:Horizontal SMT Type
- 3: — No. of Positions
- 4: — A:Gold Flash  
Q: Tin Plated
- 5: — A:In bag  
B:In Tube  
C:In Tray  
D:In Tape&Reel



Recommended PCB Layout

Circuits	Dimension mm	
	A	B
2PIN	1.00	4.00
3PIN	2.00	5.00
4PIN	3.00	6.00
5PIN	4.00	7.00
6PIN	5.00	8.00
7PIN	6.00	9.00
8PIN	7.00	10.00
9PIN	8.00	11.00
10PIN	9.00	12.00
11PIN	10.00	13.00
12PIN	11.00	14.00
13PIN	12.00	15.00
14PIN	13.00	16.00
15PIN	14.00	17.00
16PIN	15.00	18.00
17PIN	16.00	19.00
18PIN	17.00	20.00
19PIN	18.00	21.00
20PIN	19.00	22.00

RoHS Compliant

5X				DR.BY.: Samson	GENERAL TOLERANCE:		PART NO : A1001H-XXX-01-X		东莞市華晶電子有限公司 BRIGHT-E ELECTRONIC TECHNOLOGY LIMITED
4X				CHKD.: Tony	LINEAR	ANGLES	DWG. NO.: RD0806-011		
3X				APPD.: Billy	x.: ±0.30	x': ±5.0°	TITLE :		SHEET: 1/1
2X					x.x: ±0.20	x.x': ±3.0°	1.0mm Pitch Wafer Horizontal SMT Type		SCALE: 1:1
1X	ORIGINAL	Samson			x.xx: ±0.15	x.xx': ±2.0°	DATE: 02-Jun-2008		UNIT: mm
REV.	DESCRIPTION	DR.BY	ECN. NO.		x.xxx: ±0.10	x.xxx': ±1.0°			THIRD ANGLE PROJECTION

A4