

Specifications:

Material And Finish:
 Insulator:LCP UL94V-0 Color:Nature
 Contact:Copper Alloy
 Plated:See Ordering Information

Rating:

Current Rating:1.0 Amp
 Voltage Rating:50V AC/DC
 Operating Temperature Range:-25~+85°C

Electrical:

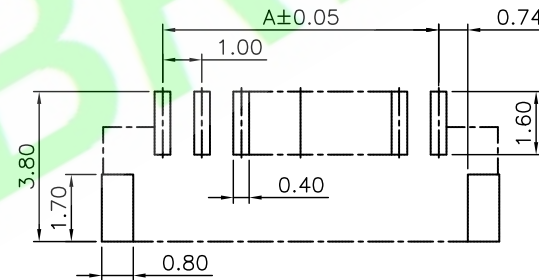
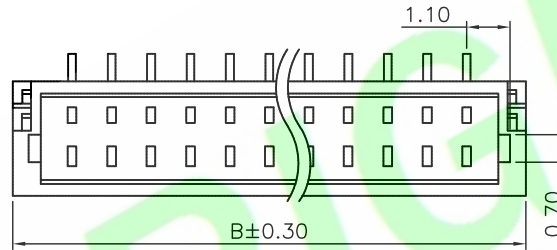
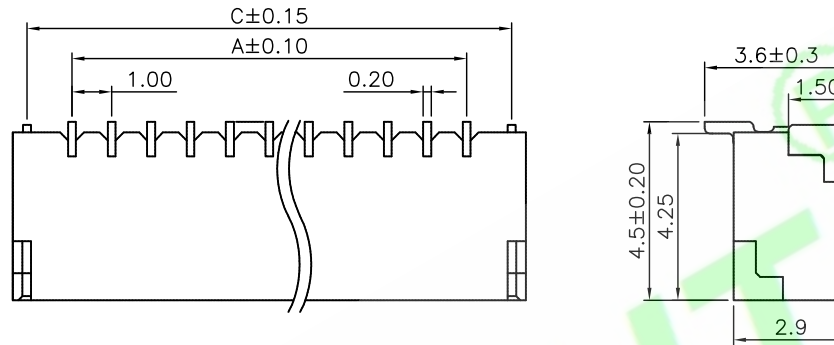
Contact resistance:20m Ohm Max
 Insulator resistance:100M ohm min.
 Withstanding Voltage:500V AC/Minute

Ordering Information

A1001M-XXX-02-X

1 2 3 4 5

- 1: — Series No.
- 2: — M:SMT Type
- 3: — No. of Positions
- 4: — M:Matte Tin Plated
- 5: — B:In Tube
 E:W/Cap In Tube
 F:W/Cap In Tape&Reel



Recommended PCB Layout

Circuits	Dimension mm		
	A	B	C
02	1.00	4.00	3.30
03	2.00	5.00	4.30
04	3.00	6.00	5.30
05	4.00	7.00	6.30
06	5.00	8.00	7.30
07	6.00	9.00	8.30
08	7.00	10.00	9.30
09	8.00	11.00	10.30
10	9.00	12.00	11.30
11	10.00	13.00	12.30
12	11.00	14.00	13.30
13	12.00	15.00	14.30
14	13.00	16.00	15.30
15	14.00	17.00	16.30
16	15.00	18.00	17.30
17	16.00	19.00	18.30
18	17.00	20.00	19.30
19	18.00	21.00	20.30
20	19.00	22.00	21.30

5X				DR.BY.: Samson	GENERAL TOLERANCE:		PART NO : A1001M-XXX-02-X	
4X					LINEAR	ANGLES	DWG. NO.:	
3X				CHKD.: Tony	X.: ±0.30	X': ±5.0°	TITLE :	
2X					X.X: ±0.20	X.X': ±3.0°	1.0mm Pitch Wafer SMT Type	
1X	ORIGINAL	Samson		APPD.: Billy	X.XX: ±0.15	X.XX': ±2.0°	DATE: 11-Dec-2013	
REV.	DESCRIPTION	DR.BY	ECN. NO.		X.XXX: ±0.10	X.XXX': ±1.0°		

HJBRIGHT 東莞市華晶電子有限公司
 BRIGHT-E ELECTRONIC TECHNOLOGY LIMITED

SHEET: 1/1
 SCALE: 1:1
 UNIT: mm

THIRD ANGLE PROJECTION

A4