

Specifications:

Material And Finish:

Insulator:Nylon 6T UL94V-0

Contact:Copper Alloy

Plated:See Ordering Information

Rating:

Current Rating:1.0 Amp

Voltage Rating:50V AC/DC

Operating Temperature Range:-25~+85°C

Electrical:

Contact resistance:20m Ohm Max

Insulator resistance:100M ohm min.

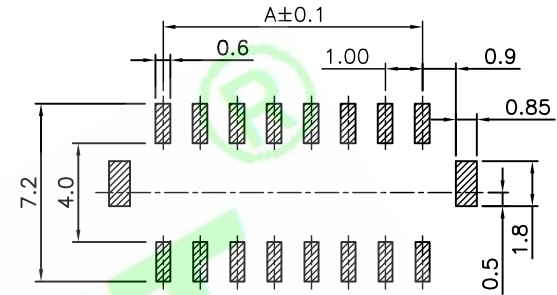
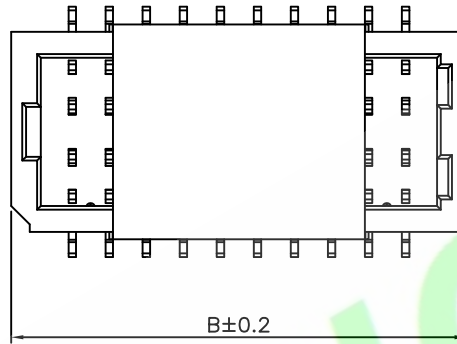
Withstanding Voltage:500V AC/Minute

Ordering Information

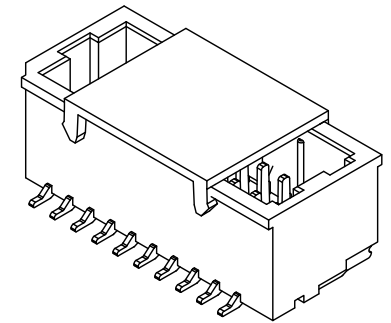
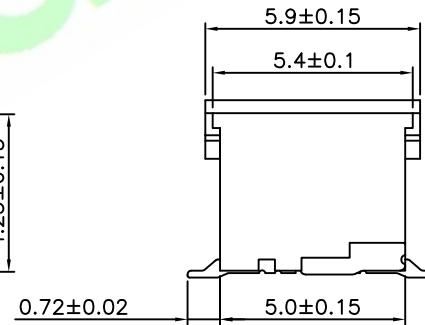
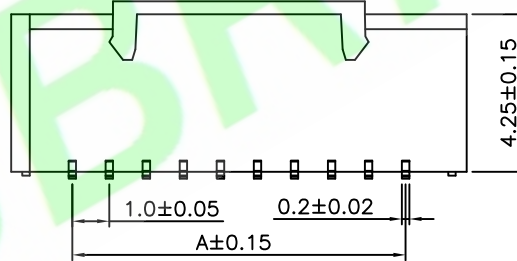
A10012M-XXX-01-X

1 2 3 4 5

- 1: Series No.
- 2: M: SMT Type
- 3: No. of Positions
- 4: A:Gold Flash
Q: Tin Plated
- 5: B: In Tube
C: In Tray
E: W/Cap In Tube
F: W/Cap In Tape&Reel



Recommended PCB Layout



Circuits	Dimensions	
	A	B
12	5.00	8.30
16	7.00	10.30
20	9.00	12.30
30	14.00	17.30
40	19.00	23.30
50	24.00	27.30

RoHS Compliant

5X				DR.BY.: Samson	GENERAL TOLERANCE:		PART NO : A10012M-XXX-01-X		HJBRIGHT® 东莞市華晶電子有限公司 BRIGHT-E ELECTRONIC TECHNOLOGY LIMITED
4X				CHKD.: Tony	LINEAR	ANGLES	DWG. NO.: RD0806-014		
3X				APPD.: Billy	X.: ±0.30	X': ±5.0°	TITLE : 1.0mm Pitch Wafer SMT Type		SHEET: 1/1
2X	ORIGINAL	Samson			X.X: ±0.20	X.X': ±3.0°	DATE: 02-Jun-2008		SCALE: 1:1
1X					X.XX: ±0.15	X.XX': ±2.0°			UNIT: mm
REV.	DESCRIPTION	DR.BY	ECN. NO.		X.XXX: ±0.10	X.XXX': ±1.0°			THIRD ANGLE PROJECTION

A4