

Specifications:

Material And Finish:

Insulator:Nylon 66 UL94V-0 Color:Beige
 Contact:Copper Alloy
 Plated:See Ordering Information

Rating:

Current Rating:1.0 Amp
 Voltage Rating:100V AC/DC
 Operating Temperature Range:-25~+85°C

Electrical:

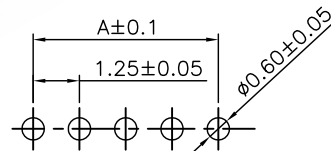
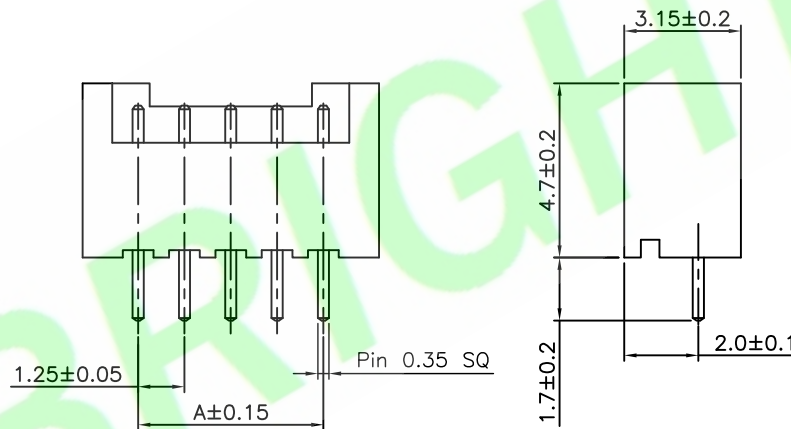
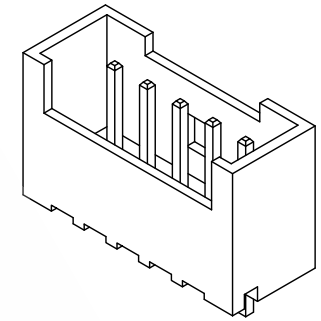
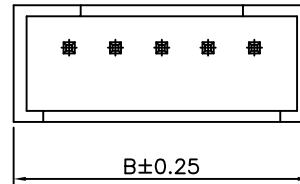
Contact resistance:20m Ohm Max
 Insulator resistance:100M ohm min.
 Withstanding Voltage:500V AC/Minute

Ordering Information

A1251S-XXX-01-X

1 2 3 4 5

- 1: — Series No.
- 2: — S: Straight Type
- 3: — No. of Positions
- 4: — A: Gold Flash
 H: Selective Gold Plated
 Q: Tin Plated
- 5: — A: In Bag
 B: In Tube
 C: In Tray



Recommended PCB Layout

Circuits	Dimensions	
	A	B
2	1.25	4.25
3	2.50	5.50
4	3.75	6.75
5	5.00	8.00
6	6.25	9.25
7	7.50	10.50
8	8.75	11.75
9	10.00	13.00
10	11.25	14.25
11	12.50	15.50
12	13.75	16.75
13	15.00	18.00
14	16.25	19.25
15	17.50	20.50

5X				DR.BY.: Samson	GENERAL TOLERANCE:		PART NO : A1251S-XXX-01-X		HJBRIGHT 東莞市華晶電子有限公司 BRIGHT-E ELECTRONIC TECHNOLOGY LIMITED
4X				CHKD.: Tony	LINEAR	ANGLES	DWG. NO.: RD0806-015		
3X				APPD.: Billy	x.: ±0.30	x': ±5.0°	TITLE : 1.25mm Pitch Wafer Straight Type		SHEET: 1/1
2X					x.x: ±0.20	x.x': ±3.0°	DATE: 02-Jun-2008		SCALE: 1:1
1X	ORIGINAL	Samson			x.xx: ±0.15	x.xx': ±2.0°			UNIT: mm
REV.	DESCRIPTION	DR.BY	ECN. NO.		x.xxx: ±0.10	x.xxx': ±1.0°			THIRD ANGLE PROJECTION

A4