

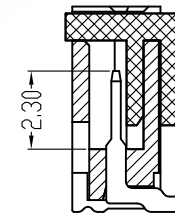
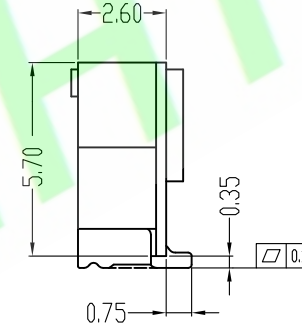
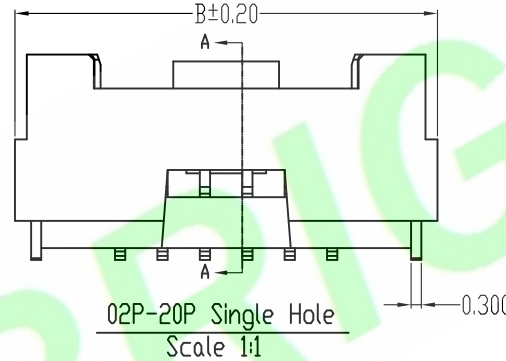
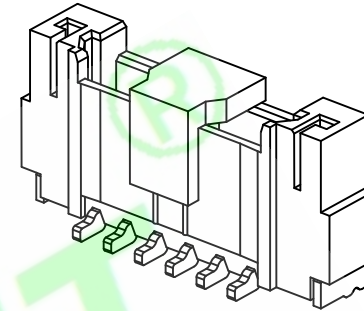
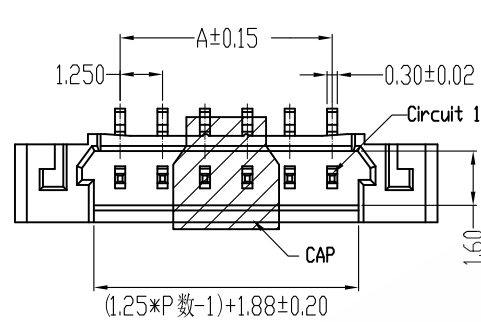
Specifications:
 Material And Finish:
 Insulator:PA6T/LCP UL94V-0
 Pin and Solder Tabs:BRASS
 Plated:See Ordering Information

Rating:
 Current Rating:1.0 Amp
 Voltage Rating:150V AC/DC
 Operating Temperature Range:-40~+85°C

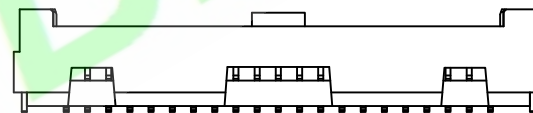
Electrical:
 Contact resistance:30m Ohm Max
 Insulator resistance:500M ohm min.
 Withstanding Voltage:500V AC/Minute

Ordering Information
A1256M-XXA-01-XX
 1 2 3 4 5 6

- 1: — Series No.
- 2: — M:SMT Type
- 3: — No. of Positions
- 4: — A:Gold Flash
S:Matte Tin
- 5: — Insulator material:
N:PA6T
C:LCP
- 6: — A:In bag
B:In Tube
C:In Tray
D:In Tape&Reel



SECTION A-A
SCALE 1:1



21P-30P Three Hole
Scale 1:2

Poles	Dimensions(mm)		Poles	Dimensions(mm)	
	A	B		A	B
02	1.25	7.45	11	12.50	18.70
03	2.50	8.70	12	13.75	19.95
04	3.75	9.95	13	15.00	21.20
05	5.00	11.20	14	16.25	22.45
06	6.25	12.45	15	17.50	23.70
07	7.50	13.70	20	23.75	29.95
08	8.75	14.95	25	30.00	36.20
09	10.00	16.20	30	36.25	42.45
10	11.25	17.45			

5X				DR.BY.: Samson
4X				CHKD.: Tony
3X				APPD.: Billy
2X				
1X	ORIGINAL	Samson		
REV.	DESCRIPTION	DR.BY	ECN. NO.	

GENERAL TOLERANCE:		PART NO : A1256M-XXA-01-XX	
LINEAR	ANGLES	DWG. NO.:	
X.: ±5.0°	X.X: ±0.30	TITLE :	
X.XX: ±0.20	X.XXX: ±0.10	1.25 mm Crimp Style Commctcors	
X.XXX: ±1.0°		DATE: 10-Oct-2017	

HJBRIGHT® 东莞市華晶電子有限公司	
BRIGHT-E ELECTRONIC TECHNOLOGY LIMITED	
SHEET: 1/1	<p>THIRD ANGLE PROJECTION</p>
SCALE: 1:1	
UNIT: mm	

A4