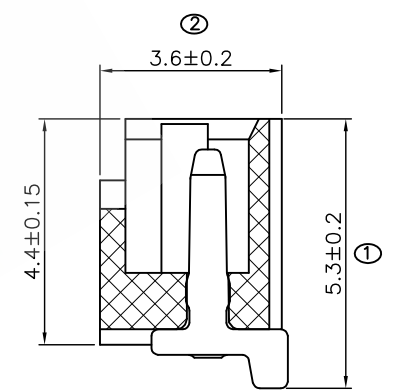
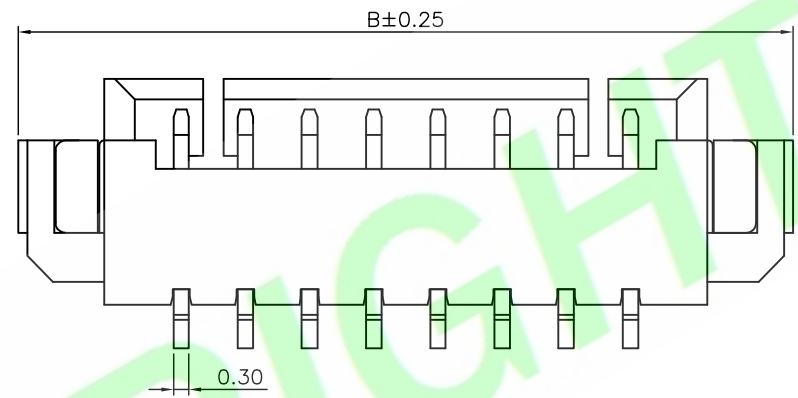
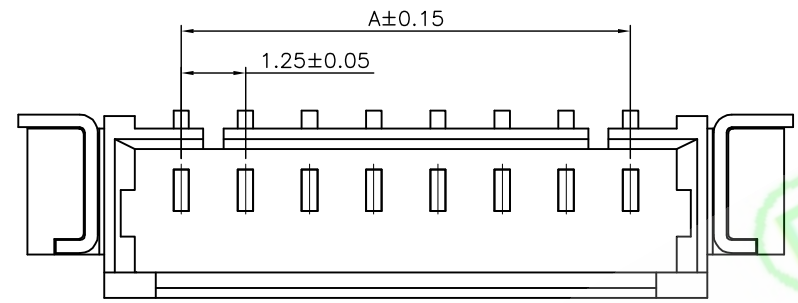


Specifications:
 Material And Finish:
 Insulator:Nylon46 UL94V-0
 Contact:Copper Alloy
 Plated:See Ordering Information

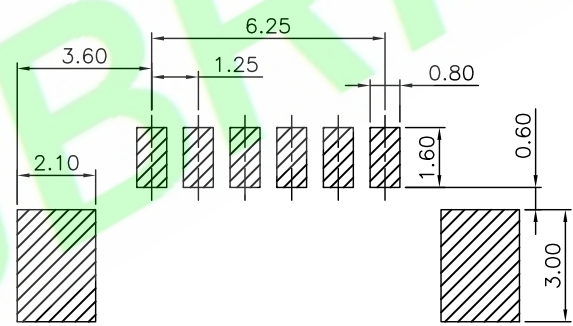
Rating:
 Current Rating:1.0 Amp
 Voltage Rating:125V AC/DC
 Operating Temperature Range:-40~+105°C

Electrical:
 Contact resistance:20m Ohm Max
 Insulator resistance:100M ohm min.
 Withstanding Voltage:500V AC/Minute



Ordering Information
A1250H-XXX-01-X

- 1: — Series No.
- 2: — H:Horizontal SMT Type
- 3: — No. of Positions
- 4: — A:Gold Flash
 H:Selective Gold Plated
 Q:Tin Plated
- 5: — A:In bag
 B:In Tube
 C:In Tray
 D:In Tape&Reel



Recommended PCB Layout

Circuits	Dimensions		Circuits	Dimensions	
	A	B		A	B
2	1.25	7.55	9	10.00	16.30
3	2.50	8.80	10	11.25	17.55
4	3.75	10.05	11	12.50	18.80
5	5.00	11.30	12	13.75	20.05
6	6.25	12.55	13	15.00	21.30
7	7.50	13.80	14	16.25	22.55
8	8.75	15.05	15	17.50	23.80

5X				DR.BY.: Samson	GENERAL TOLERANCE:		PART NO : A1250H-XXX-01-X	
4X					LINEAR	ANGLES	DWG. NO.:	
3X				CHKD.: Tony	X.: ±0.30	X': ±5.0°	TITLE :	
2X	ORIGINAL				X.X: ±0.20	X.X': ±3.0°	1.25mm Pitch Wafer Horizontal SMT Type	
1X	ORIGINAL	Samson		APPD.:	X.XX: ±0.15	X.XX': ±2.0°	DATE: 24-Sep-2014	
REV.	DESCRIPTION	DR.BY	ECN. NO.	Billy	X.XXX: ±0.10	X.XXX': ±1.0°		

HJBRIGHT 東莞市華晶電子有限公司
 BRIGHT-E ELECTRONIC TECHNOLOGY LIMITED

SHEET: 1/1
 SCALE: 1:1
 UNIT: mm

THIRD ANGLE PROJECTION

A4