

SPECIFICATIONS

Current Rating:5A AC,DC
 Voltage Rating:250V AC,DC
 Temperature Range:-25°C~85°C
 contact Resistance:10MΩ Min
 Insulation Resistance:1000MΩ Min
 Withstanding Voltage:1500V AC/minute
 Material:Nylon 66,UL94V-2/0
 Color:Black

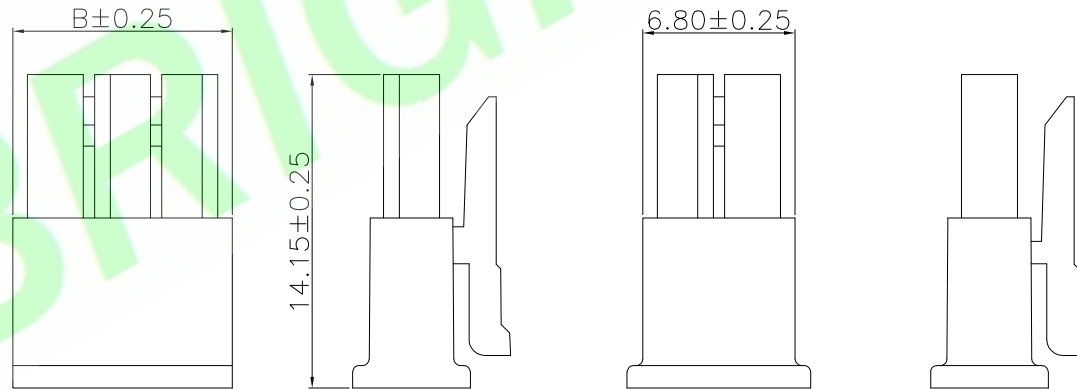
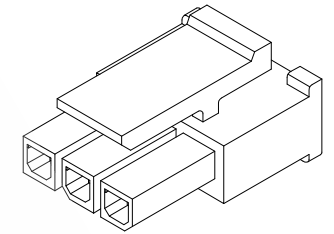
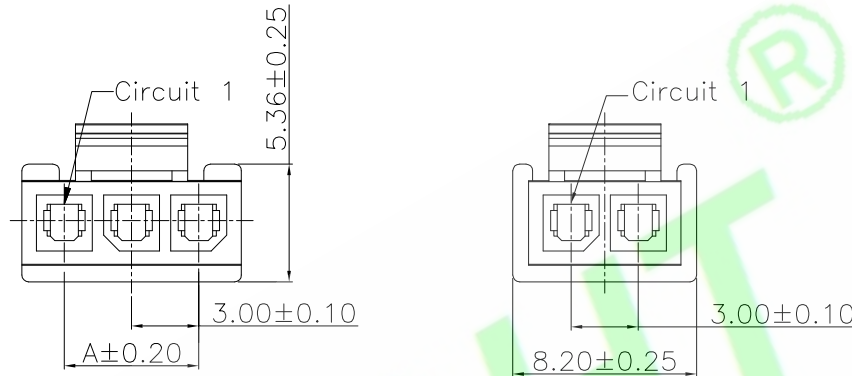
Ordering Information

H3001-XX-01-X
 1 2 3

- 1: — Series No.
- 2: — No. of Positions
- 3: — W:White
 B:Black

Ordering Information & Dimensions

Poles	Dimension	
	A	B
02	3.00	6.80
03	6.00	9.80
04	9.00	12.80
05	12.00	15.80
06	15.00	18.80
07	18.00	21.80
08	21.00	24.80
09	24.00	27.80
10	27.00	30.80
11	30.00	33.80
12	33.00	36.80



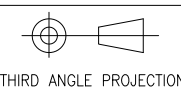
3P~12P

2P

5X				DR.BY.: Bruce	GENERAL TOLERANCE:		PART NO : H3001-XX-01-X
4X				CHKD.: Tony	LINEAR	ANGLES	DWG. NO.:
3X				APPD.: Billy	X.: ±0.30	X': ±1.0°	TITLE :
2X	ORIGINAL	Bruce			X.X: ±0.20	X.X':	3.00mm Crimp Style connectors
1X	DESCRIPTION	DR.BY	EDN. NO.		X.XXX: ±0.10	X.XXX':	DATE: 12-Dec-2010

HJBRIGHT® 東莞市華晶電子有限公司
 BRIGHT-E ELECTRONIC TECHNOLOGY LIMITED

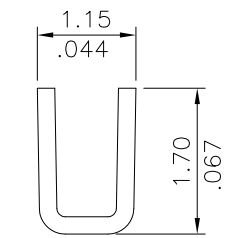
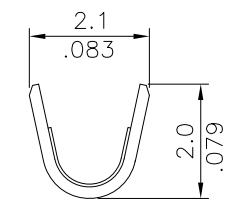
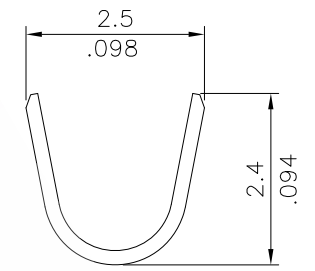
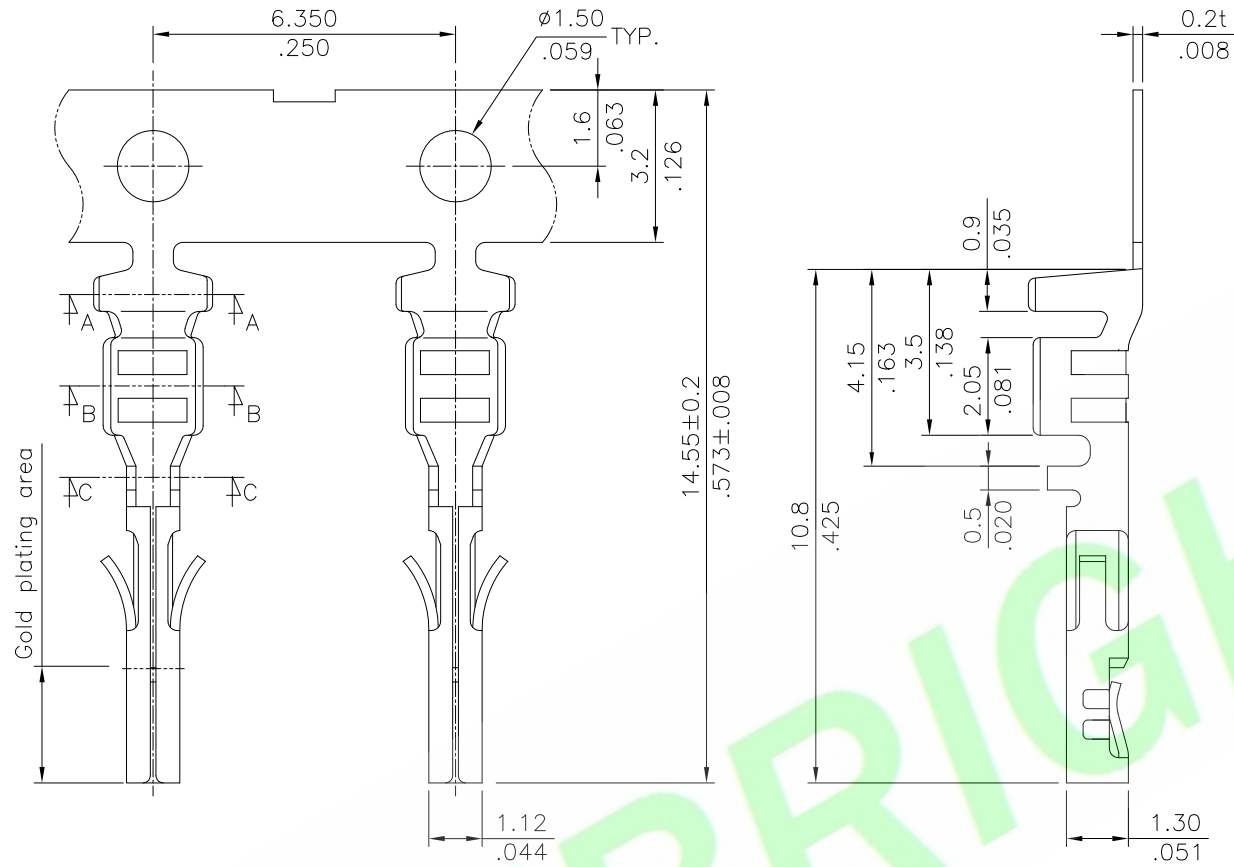
SHEET: 1/1
 SCALE: 1:1
 UNIT: mm



A4

RoHS Compliant

Material : Phosphor Bronze



P/N	Wire Gauge	Insulation Diameter	Finish	Reel Q'TY
CP35TN21PES	AWG #20~#24	2.50 .098 MAX.	2.03µm (80µinch) Min. Tin-lead over 0.76µm (30µinch) Nickel	12,000 PCS
CP35TN2APES	AWG #20~#24	2.50 .098 MAX.	Selective gold flash on surface contract area over 1.27µm (50µinch) Nickel	12,000 PCS
CP35TN2BPES	AWG #20~#24	2.50 .098 MAX.	Selective 0.38µm (15µinch) gold on surface contract area over 1.27µm (50µinch) Nickel	12,000 PCS
CP35TN2CPES	AWG #20~#24	2.50 .098 MAX.	Selective 0.76µm (30µinch) gold on surface contract area over 1.27µm (50µinch) Nickel	12,000 PCS

5X			DR.BY.: 曾冬明	GENERAL TOLERANCE:		PART NO : CP35TN**PES
4X			CHKD.: 朱波	LINEAR	ANGLES	DWG. NO.: CP3503SC
3X			APPD.:	X.: ±0.20	X': ±1.0°	TITLE : CP35 FEMALE CRIMP TERMINAL
2X	ORIGINAL	joan cheng		X.XX: ±0.10	X.XX':	DATE: 18-Dec-2008
1X	DESCRIPTION	DR.BY	EDN. NO.	X.XXX: ±0.05	X.XXX':	

HJBRIGHT® 東莞市華晶電子有限公司
BRIGHT-E ELECTRONIC TECHNOLOGY LIMITED

SHEET: 1/1
SCALE: 1:1
UNIT: mm

THIRD ANGLE PROJECTION

A4