

**Specifications:**

**Material And Finish:**

Insulator:Nylon 66 UL94V-0 Color:Red  
 Contact:Copper Alloy  
 Plated:See Ordering Information

**Rating:**

Current Rating:2.0 Amp  
 Voltage Rating:100V AC/DC  
 Operating Temperature Range:-25~+85°C

**Electrical:**

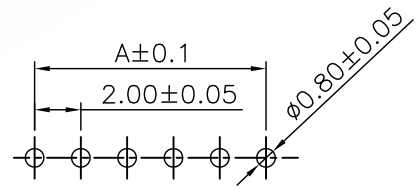
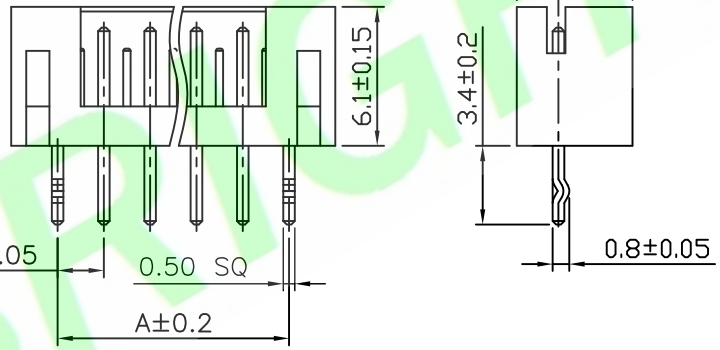
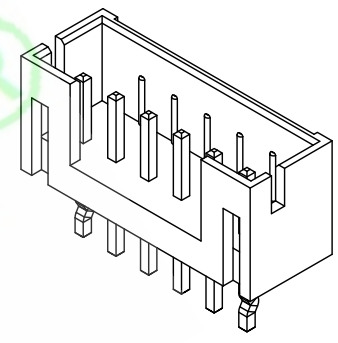
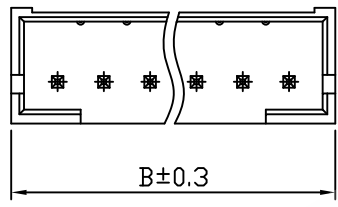
Contact resistance:20m Ohm Max  
 Insulator resistance:1000M ohm min.  
 Withstanding Voltage:800V AC/Minute

**Ordering Information**

**A2003S-XXX-03-X**

1 2 3 4 5

- 1: — Series No.
- 2: — S: Straight Type
- 3: — No. of Positions
- 4: — A: Gold Flash  
 H: Selective Gold Plated  
 Q: Tin Plated
- 5: — A: In Bag  
 B: In Tube  
 C: In Tray



Recommended PCB Layout

Circuits	Dimension mm	
	A(mm)	B(mm)
02	2.0	6.0
03	4.0	8.0
04	6.0	10.0
05	8.0	12.0
06	10.0	14.0
07	12.0	16.0
08	14.0	18.0
09	16.0	20.0
10	18.0	22.0
11	20.0	24.0
12	22.0	26.0
13	24.0	28.0
14	26.0	30.0
15	28.0	32.0
16	30.0	34.0

5X			
4X			
3X			
2X			
1X	ORIGINAL	Samson	
REV.	DESCRIPTION	DR.BY	ECN. NO.

DR.BY:	Samson
CHKD.:	Tony
APPD.:	Billy

GENERAL TOLERANCE:		PART NO : A2003S-XXX-03-X
LINEAR	ANGLES	DWG. NO.: RD0806-036
x.: ±0.30	x': ±5.0°	TITLE :
x.x: ±0.20	x.x': ±3.0°	2.0mm Pitch Wafer Straight Type
x.xx: ±0.15	x.xx': ±2.0°	DATE: 04-Jun-2008
x.xxx: ±0.10	x.xxx': ±1.0°	

**HJBRIGHT** 东莞市華晶電子有限公司  
 BRIGHT-E ELECTRONIC TECHNOLOGY LIMITED

SHEET: 1/1  
 SCALE: 1:1  
 UNIT: mm

THIRD ANGLE PROJECTION

**A4**