

Specifications:

Material And Finish:
 Insulator:PA9T UL94V-0 Color:Nature
 Contact:Brass

Rating:

Current Rating:3.0 Amp
 Voltage Rating:250V AC/DC
 Operating Temperature Range:-25° C~+85° C

Electrical:

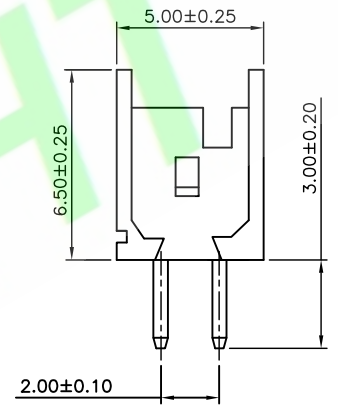
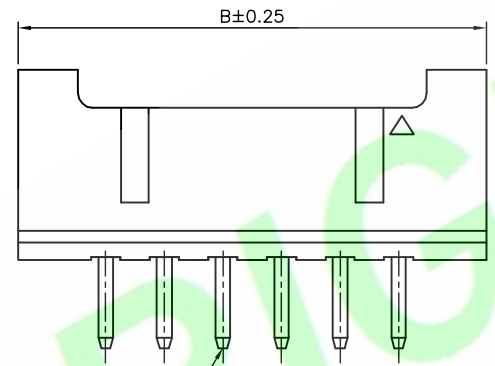
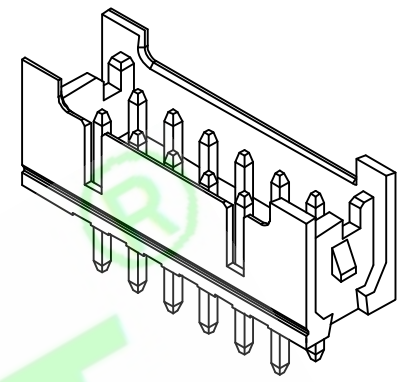
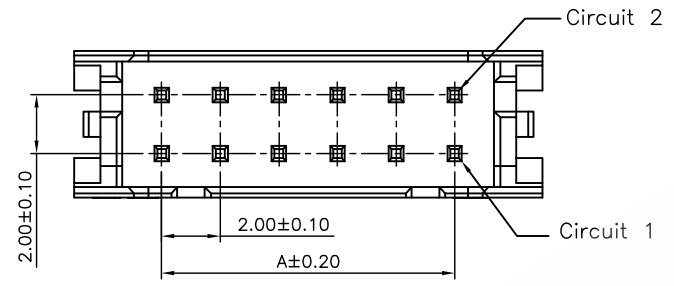
Contact resistance:10m Ohm Max
 Insulator resistance:1000M ohm min.
 Withstanding Voltage:800V AC/Minute

Ordering Information

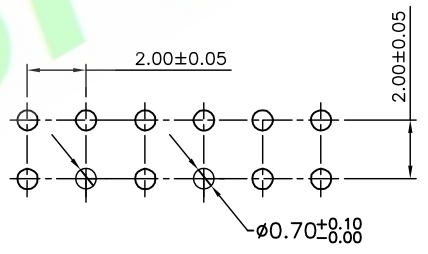
A2004S-XXX-02-X

1 2 3 4 5

- 1:— Series No.
- 2:— S: Straight Type
- 3:— No. of Positions
- 4:— A: Gold Flash
Q: Tin Plated
- 5:— A: In Bag
B: In Tube



Pin 0.5 SQ



Recommended PCB Layout

| Circuits | Dimension mm | |
|----------|--------------|-------|
| | A | B |
| 2*02P | 2.00 | 8.00 |
| 2*03P | 4.00 | 10.00 |
| 2*04P | 6.00 | 12.00 |
| 2*05P | 8.00 | 14.00 |
| 2*06P | 10.00 | 16.00 |
| 2*07P | 12.00 | 18.00 |
| 2*08P | 14.00 | 20.00 |
| 2*09P | 16.00 | 22.00 |
| 2*10P | 18.00 | 24.00 |
| 2*11P | 20.00 | 26.00 |
| 2*12P | 22.00 | 28.00 |
| 2*13P | 24.00 | 30.00 |
| 2*14P | 26.00 | 32.00 |
| 2*15P | 28.00 | 34.00 |
| 2*16P | 30.00 | 36.00 |
| 2*17P | 32.00 | 38.00 |
| 2*18P | 34.00 | 40.00 |
| 2*19P | 36.00 | 42.00 |
| 2*20P | 38.00 | 44.00 |

| | | | |
|------|-------------|--------|----------|
| 5X | | | |
| 4X | | | |
| 3X | | | |
| 2X | | | |
| 1X | ORIGINAL | Samson | |
| REV. | DESCRIPTION | DR.BY | ECN. NO. |

| | | |
|-------------------|--------------------|---------------|
| DR.BY.: Samson | GENERAL TOLERANCE: | |
| CHKD.: Tony | LINEAR | ANGLES |
| APPD.: Billy | X.: ±5.0° | X.X: ±3.0° |
| | X.XX: ±0.30 | X.XXX: ±2.0° |
| | X.XXX: ±0.10 | X.XXXX: ±1.0° |

| |
|--|
| PART NO : A2004S-XXX-02-X |
| DWG. NO.: |
| TITLE : 2.0mm Pitch Wafer Straight Type |
| DATE: 23-Oct-2017 |

HJBRIGHT 東莞市華晶電子有限公司
 BRIGHT-E ELECTRONIC TECHNOLOGY LIMITED

SHEET: 1/1
 SCALE: 1:1
 UNIT: mm

THIRD ANGLE PROJECTION

A4