

**Specifications:**

**Material And Finish:**

Insulator:PA66 UL94V-0,  
Color:Natural(White)

**Rating:**

Current Rating:3.0 Amp  
Voltage Rating:250V AC/DC  
Operating Temperature Range:-25° C~+85° C

**Electrical:**

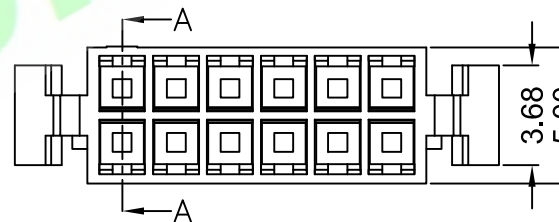
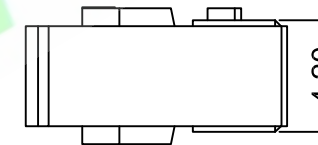
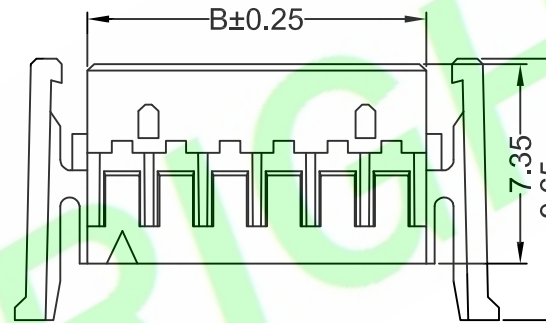
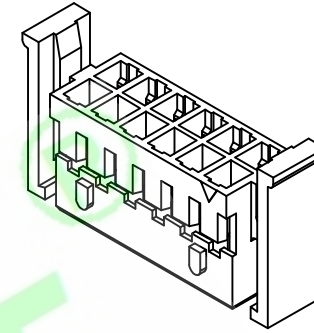
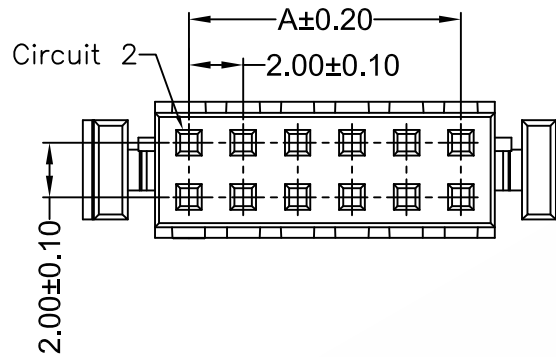
Contact resistance:10m Ohm Max  
Insulator resistance:1000M ohm min.  
Withstanding Voltage:800V AC/Minute

**Ordering Information**

**A2004HA-XXP**

1 2

1: — Series No.  
2: — No. of Positions



Circuits	Dimension mm	
	A	B
2*02P	2.00	4.50
2*03P	4.00	6.50
2*04P	6.00	8.50
2*05P	8.00	10.50
2*06P	10.00	12.50
2*07P	12.00	14.50
2*08P	14.00	16.50
2*09P	16.00	18.50
2*10P	18.00	20.50
2*11P	20.00	22.50
2*12P	22.00	24.50
2*13P	24.00	26.50
2*14P	26.00	28.50
2*15P	28.00	30.50
2*16P	30.00	32.50
2*17P	32.00	34.50
2*18P	34.00	36.50
2*19P	36.00	38.50
2*20P	38.00	40.50

5X			
4X			
3X			
2X			
1X	ORIGINAL	Samson	
REV.	DESCRIPTION	DR.BY	ECN. NO.

DR.BY.: Samson	GENERAL TOLERANCE:	
CHKD.: Tony	LINEAR	ANGLES
APPD.: Billy	X.: ±0.30	X.X: ±3.0°
	X.XX: ±0.20	X.XX: ±2.0°
	X.XXX: ±0.10	X.XXX: ±1.0°

PART NO : A2004HA-XXP
DWG. NO.:
TITLE : 2.00mm Crimp Style Connectors
DATE: 23-Oct-2017

**HJBRIGHT** 東莞市華晶電子有限公司  
BRIGHT-E ELECTRONIC TECHNOLOGY LIMITED

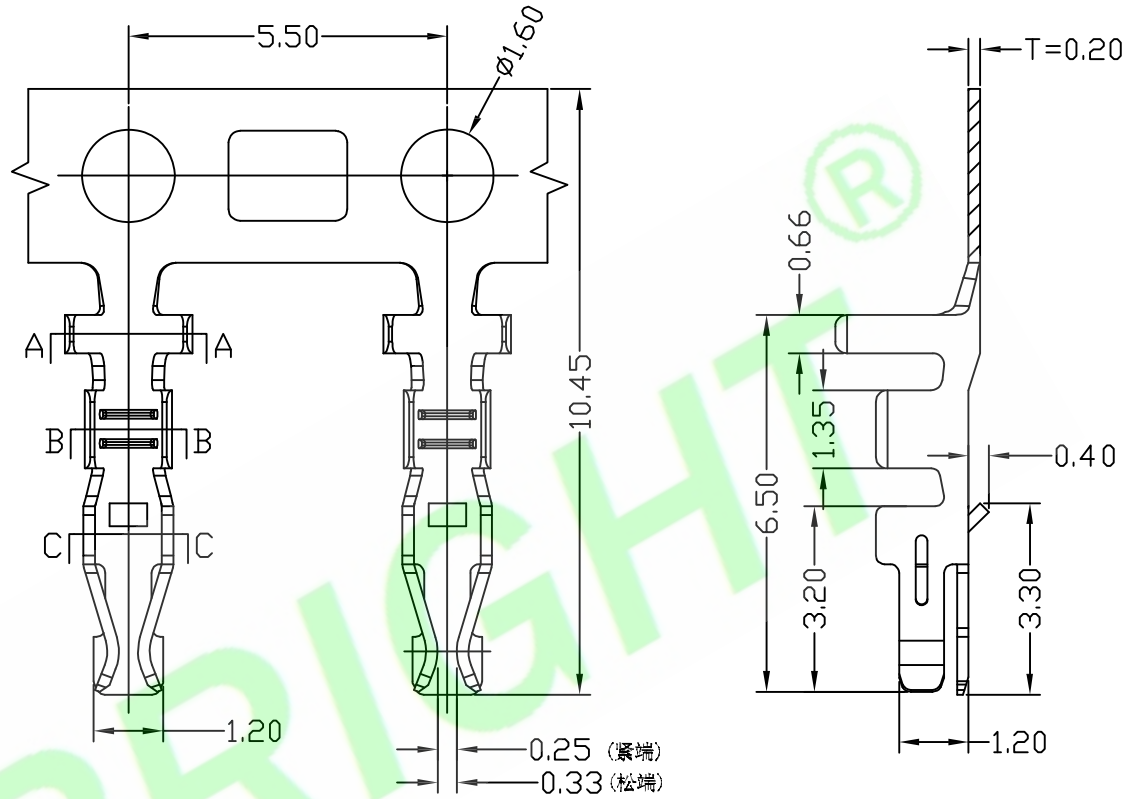
SHEET: 1/1  
SCALE: 1:1  
UNIT: mm

THIRD ANGLE PROJECTION

**A4**

RoHS Compliant

Material:  
Terminal: Phosphor Bronze  
Wire Range: AWG#22~28  
Insulation O.D.: 1.55mm/Max  
Qty/Reel: 10kpcs

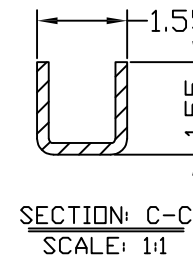
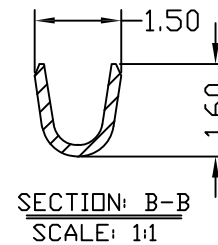
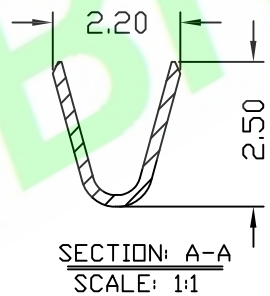


Ordering Information

A2004TF-PXB

1 23 4 5

- 1: — Series No.
- 2: — T: Terminal
- 3: — Terminal Type:  
F—mate with mate housing
- 4: — Plated:  
Q: Tin Plated
- 5: — Other:  
A: 紧端  
B: 松端  
C: 普通型



5X			
4X			
3X			
2X			
1X	ORIGINAL	Samson	
REV.	DESCRIPTION	DR.BY	ECN. NO.

DR.BY.: Samson	GENERAL TOLERANCE:	
CHKD.: Tony	LINER	ANGLES
APPD.: Billy	x.: ±0.30	x.x: ±5.0°
	x.xx: ±0.20	x.x.x: ±3.0°
	x.xxx: ±0.10	x.x.x.x: ±2.0°
		x.x.x.x.x: ±1.0°

PART NO : A2004TF-PXB
DWG. NO.:
TITLE : 2.00mm Pitch Hosing Terminal
DATE: 12-Jan-2017

**HJBRIGHT** 东莞市华晶电子有限公司  
BRIGHT-E ELECTRONIC TECHNOLOGY LIMITED

SHEET: 1/1  
SCALE: 1:1  
UNIT: mm

THIRD ANGLE PROJECTION

**A4**