

**Specifications:**

**Material And Finish:**

Insulator:Nylon 6T UL94V-0 Color:Black  
 Contact:Phosphor Bronze  
 Plated:See Ordering Information

**Rating:**

Current Rating:1.0 Amp  
 Voltage Rating:100V AC/DC  
 Operating Temperature Range:-40° ~+105° C

**Electrical:**

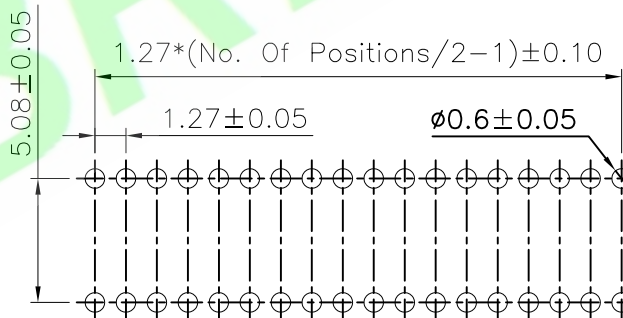
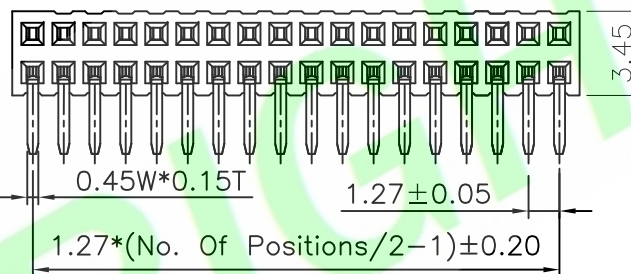
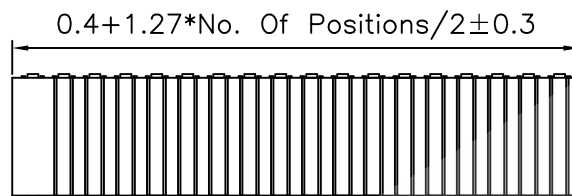
Contact resistance:20m Ohm Max  
 Insulator resistance:500M ohm min.  
 Withstanding Voltage:500V AC/Minute

**Ordering Information**

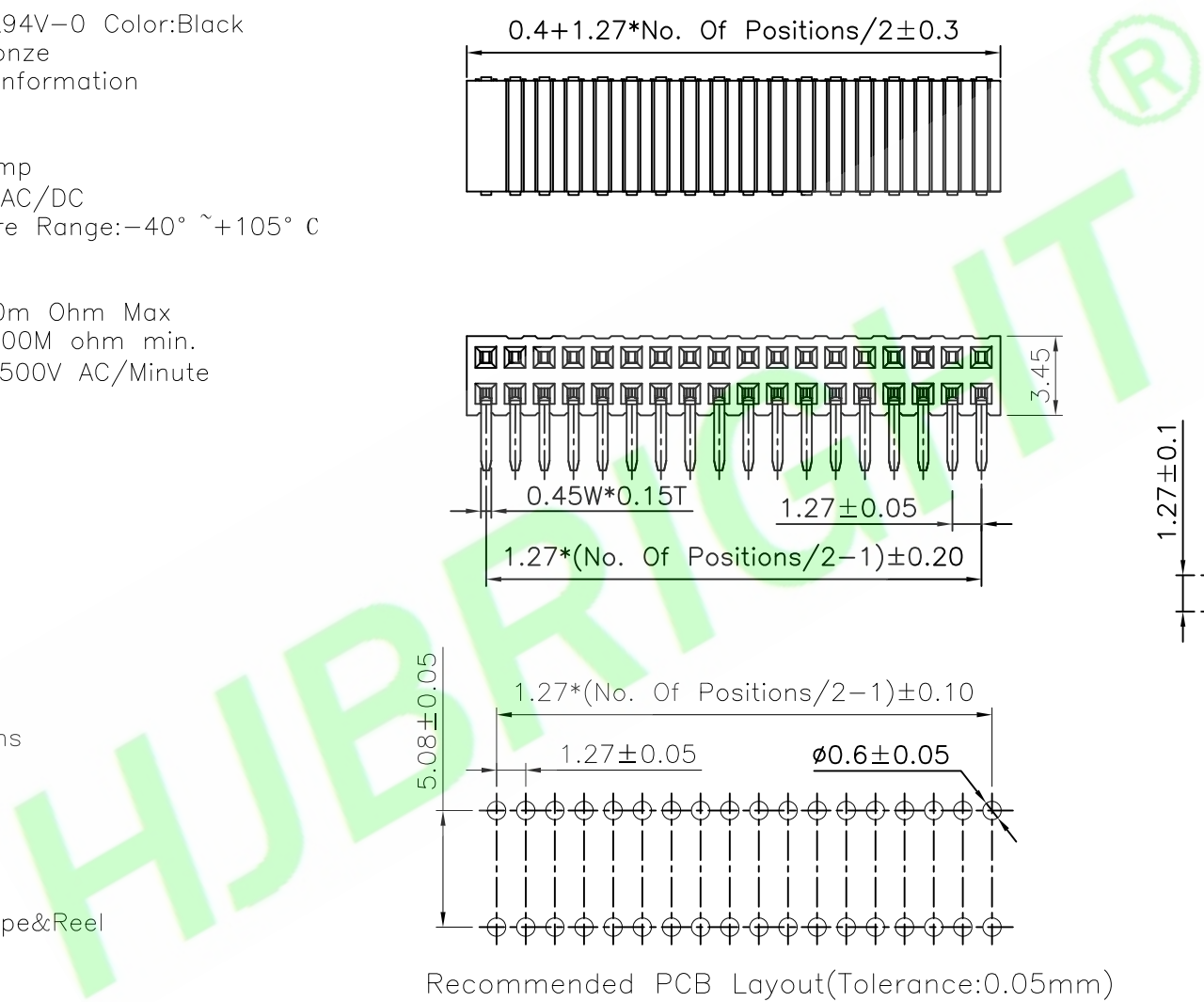
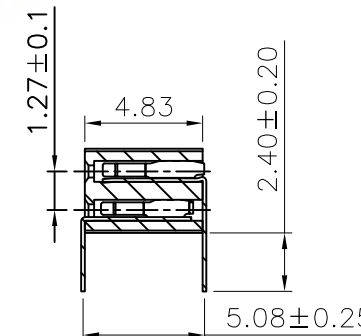
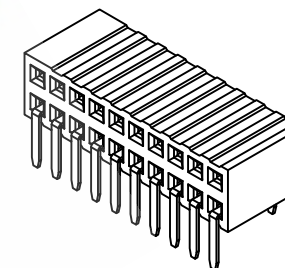
S12762R-XXX48-X

1 2 3 4 5

- 1: — Series No.
- 2: — R:R/A Type
- 3: — No. of Positions
- 4: — A:Gold Flash  
Q:Tin Plated
- 5: — A:In bag  
B:In Tube  
C:In Tray  
F:W/Cap In Tape&Reel



Recommended PCB Layout(Tolerance:0.05mm)



5X				DR.BY.:	
4X				Samson	
3X				CHKD.:	
2X				Tony	
1X	ORIGINAL	Samson		APPD.:	
REV.	DESCRIPTION	DR.BY	ECN. NO.	Billy	

GENERAL TOLERANCE:	
LINEAR	ANGLES
X.: ±0.30	X': ±5.0°
X.X: ±0.20	X.X': ±3.0°
X.XX: ±0.15	X.XX': ±2.0°
X.XXX: ±0.10	X.XXX': ±1.0°

PART NO :	S12762R-XXX48-X
DWG. NO.:	RD0807-010
TITLE :	1.27mm Pitch PCB Socket Header R/A Type Side Entry
DATE:	01-Jul-2008

**HJBRIGHT** 東莞市華晶電子有限公司  
 BRIGHT-E ELECTRONIC TECHNOLOGY LIMITED

SHEET: 1/1  
 SCALE: 1:1  
 UNIT: mm

THIRD ANGLE PROJECTION

**A4**