

**Specifications:**

**Material And Finish:**

Insulator:PA6T(E630NK) UL94V-0 Color:Black  
 Contact:Phosphor Bronze(C5210R-H)  
 Plated:See Ordering Information

**Rating:**

Current Rating:3.0 Amp  
 Voltage Rating:250V AC/DC  
 Operating Temperature Range:-40°~+105°C

**Electrical:**

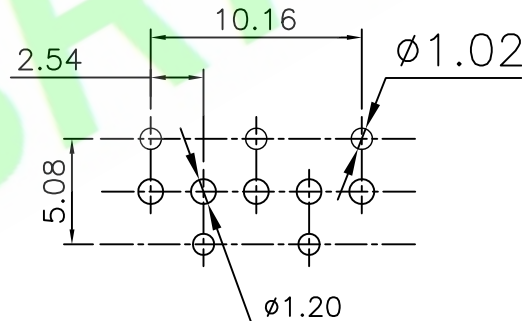
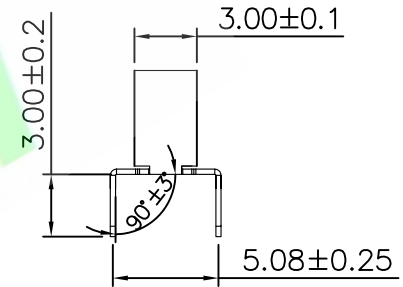
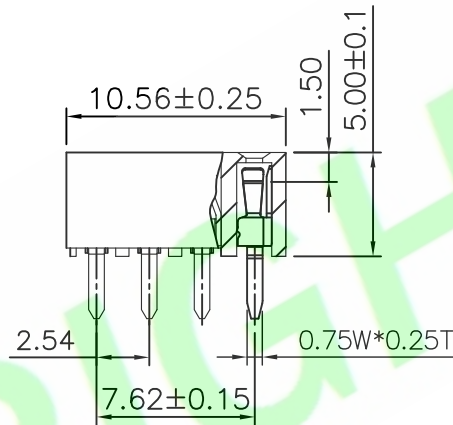
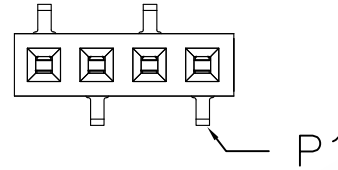
Contact resistance:20m Ohm Max  
 Insulator resistance:1000M ohm min.  
 Withstanding Voltage:500V AC/Minute

**Ordering Information**

**S25551S2-04Y50-NBG-G**

1 2 3 4 5 6

- 1: — Series No.
- 2: — S2: Straight Type
- 3: — No. of Positions
- 4: — Y:30u" Gold on contact; Tin on the tail
- 5: — B: B Type
- 6: — G: W/O Cap In Tape & Reel



Recommended PCB Layout

5X				DR.BY.: Kenry	GENERAL TOLERANCE:		PART NO : S25551S2-04Y50-NBG-G	
4X					LINEAR	ANGLES	DWG. NO.:	
3X				CHKD.: Tony	X.: ±0.30	X': ±5.0°	TITLE : 2.54mm Pitch PCB	
2X					X.X: ±0.20	X.X': ±3.0°	Socket Header Straight Type	
1X	ORIGINAL	Kenry		APPD.: Billy	X.XX: ±0.15	X.XX': ±2.0°	DATE: 29-Apr-2015	
REV.	DESCRIPTION	DR.BY	ECN. NO.		X.XXX: ±0.10	X.XXX': ±1.0°	UNIT: mm	

**HJBRIGHT** 東莞市華晶電子有限公司  
 BRIGHT-E ELECTRONIC TECHNOLOGY LIMITED

SHEET: 1/1  
 SCALE: 1:1  
 UNIT: mm

THIRD ANGLE PROJECTION

**A4**