

Specifications:

Material And Finish:

Insulator:PA6T(HTNFR52G30NH BK337) UL94V-0
 Color:Black
 Contact:Phosphor Bronze(C5210R-H)
 Plated:See Ordering Information

Rating:

Current Rating:3.0 Amp
 Voltage Rating:250V AC/DC
 Operating Temperature Range:-40~+105°C

Electrical:

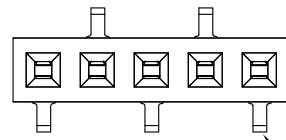
Contact resistance:20m Ohm Max
 Insulator resistance:1000M ohm min.
 Withstanding Voltage:500V AC/Minute

Ordering Information

S2551S2-05X50-NBX-G

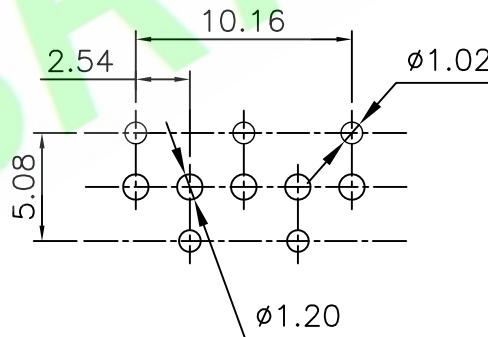
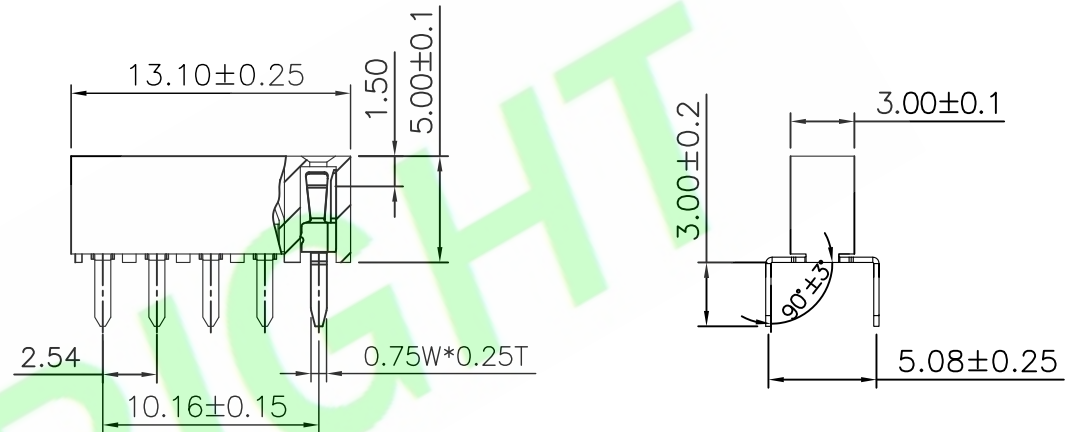
1 2 3 4 5 6

- 1: — Series No.
- 2: — S2: Straight Type
- 3: — No. of Positions
- 4: — A: Gold Flash
 Q: Tin Plated
 Z: Silver Plated(0.25um)
- 5: — B: B Type
- 6: — A: In bag
 B: In Tube
 C: In Tray
 F: W/Cap In Tape&Reel
 G: W/O Cap In Tape&Reel



B Type

P1



Recommended PCB Layout

| | | | |
|------|-------------------------|-------|-------------|
| 5X | | | |
| 4X | | | |
| 3X | | | |
| 2X | Plastic Material Change | Kenry | 27-Mar-2016 |
| 1X | ORIGINAL | Kenry | |
| REV. | DESCRIPTION | DR.BY | ECN. NO. |

| | |
|--------|-------|
| DR.BY: | Kenry |
| CHKD.: | Tony |
| APPD.: | Billy |

| | | |
|--------------------|-------------|---|
| GENERAL TOLERANCE: | | PART NO : S2551S2-05X50-NBX-G |
| LINEAR | ANGLES | |
| X.: ±0.30 | X': ±3.0° | DWG. NO.: |
| X.X: ±0.20 | X.X': ±2.0° | |
| X.XX: ±0.15 | X.XX': | TITLE : 2.54mm Pitch PCB Socket Header Straight Type |
| X.XXX: ±0.10 | X.XXX': | |
| | | DATE: 29-Apr-2015 |

HJBRIGHT 東莞市華晶電子有限公司
 BRIGHT-E ELECTRONIC TECHNOLOGY LIMITED

SHEET: 1/1
 SCALE: 1:1
 UNIT: mm

THIRD ANGLE PROJECTION

A4