

**Specifications:**

**Material And Finish:**

Insulator:Nylon6T UL94V-0 Color:Black

Contact:Brass

Plated:See Ordering Information

**Rating:**

Current Rating:3.0 Amp

Voltage Rating:250V AC/DC

Operating Temperature Range:-40~+105°C

**Electrical:**

Contact resistance:30m Ohm Max

Insulator resistance:1000M ohm min.

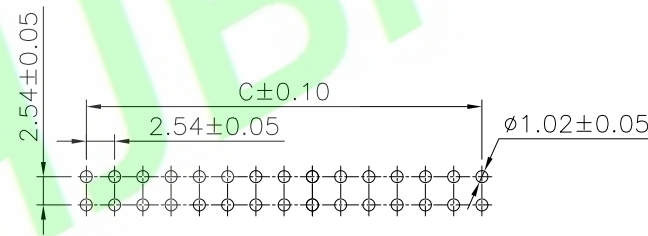
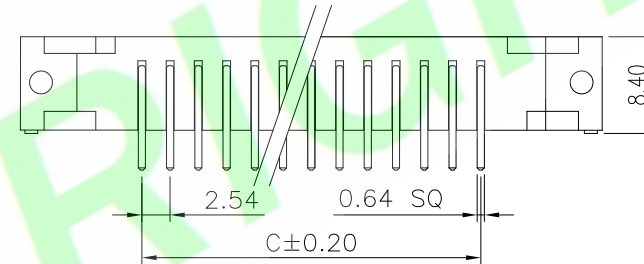
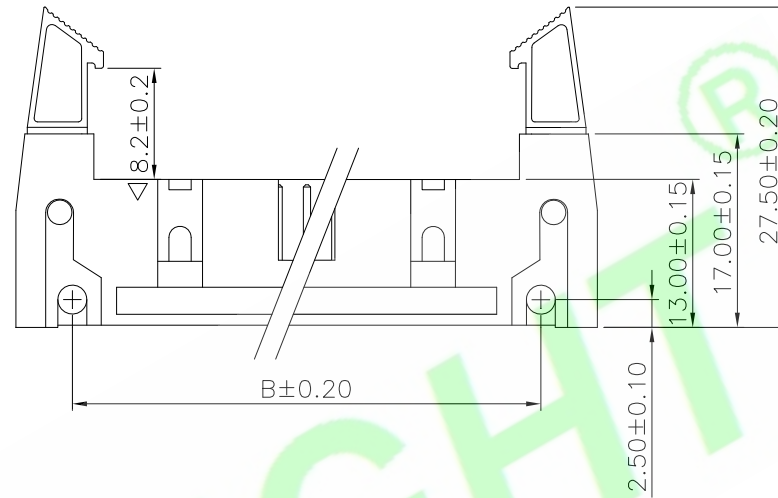
Withstanding Voltage:500V AC/Minute

**Ordering Information**

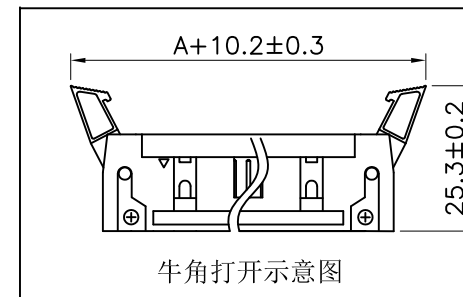
**B2543R-XXX-01-NX**

1 2 3 4 5

- 1: — Series No.
- 2: — R:R/A Type
- 3: — No. of Positions
- 4: — A:Gold Flash  
H:Selective Gold Plated  
Q:Tin Plated
- 5: — A:In bag  
B:In Tube  
C:In Tray



Recommended PCB Layout



牛角打开示意图

SIZE	A	B	C
10	32.00	21.84	10.16
14	37.08	26.92	15.24
16	39.62	29.46	17.78
20	44.70	34.54	22.86
26	52.32	42.16	30.48
30	57.40	47.24	35.56
34	62.48	52.32	40.64
40	70.10	59.94	48.26
50	82.80	72.64	60.96
60	95.50	85.34	73.66
64	100.58	90.42	78.74

5X			
4X			
3X			
2X			
1X	ORIGINAL	Jack	
REV.	DESCRIPTION	DR.BY	ECN. NO.

DR.BY.: Jack	GENERAL TOLERANCE:	
CHKD.: Kenry	LINEAR	ANGLES
APPD.: Billy	X.: ±0.30	X': ±5.0°
	X.X: ±0.20	X.X': ±3.0°
	X.XX: ±0.15	X.XX': ±2.0°
	X.XXX: ±0.10	X.XXX': ±1.0°

PART NO : B2543R-XXX-01-NX
DWG. NO.:
TITLE : 2.54mm Pitch Box Header R/A Type
DATE: 23-Mar-2015

**HJBRIGHT** 东莞市華晶電子有限公司  
BRIGHT-E ELECTRONIC TECHNOLOGY LIMITED

SHEET: 1/1  
SCALE: 1:1  
UNIT: mm

THIRD ANGLE PROJECTION

**A4**