

**Specifications:**

**Material And Finish:**

Insulator:PBT UL94V-0 Color:Black  
 Contact:Brass  
 Plated:See Ordering Information

**Rating:**

Current Rating:3.0 Amp  
 Voltage Rating:250V AC/DC  
 Operating Temperature Range:-40~+105°C

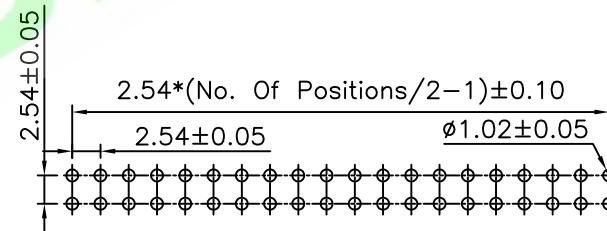
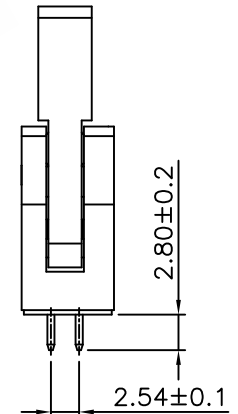
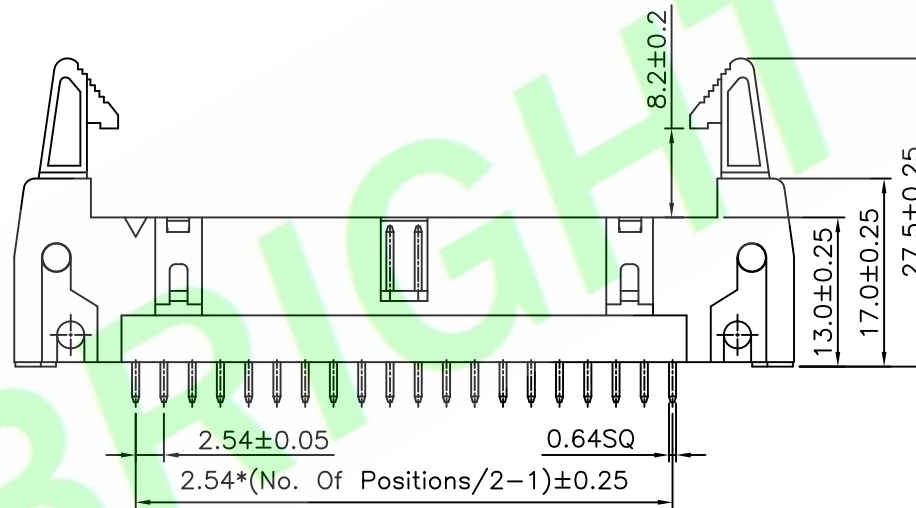
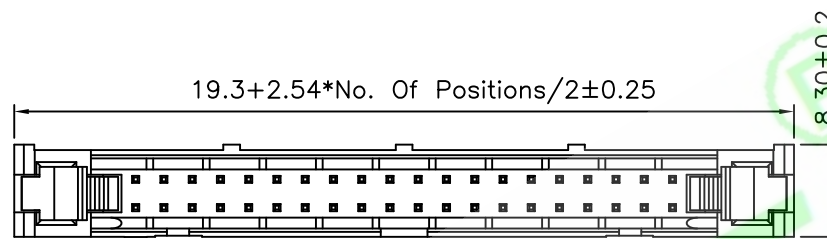
**Electrical:**

Contact resistance:30m Ohm Max  
 Insulator resistance:1000M ohm min.  
 Withstanding Voltage:500V AC/Minute

**Ordering Information**

**B2543S-XXX-02-X**  
 1 2 3 4 5

- 1: — Series No.
- 2: — S: Straight Type
- 3: — No. of Positions
- 4: — A: Gold Flash  
 H: Selective Gold Plated  
 L: 15u" Gold on contact; Matte Tin on tail  
 Q: Tin Plated
- 6: — A: In bag  
 B: In Tube  
 C: In Tray



Recommended PCB Layout

RoHS Compliant

5X				DR.BY.: Samson	GENERAL TOLERANCE:		PART NO : B2543S-XXX-02-X		<b>HJBRIGHT</b> <sup>®</sup> 东莞市華晶電子有限公司 BRIGHT-E ELECTRONIC TECHNOLOGY LIMITED
4X				CHKD.: Tony	LINEAR	ANGLES	DWG. NO.: RD1003-030		
3X				APPD.: Billy	X.: ±0.30	X': ±5.0°	TITLE : 2.54mm Pitch Box Header Straight Type		SHEET: 1/1
2X	ORIGINAL	Samson			X.X: ±0.20	X.X': ±3.0°	DATE: 23-Mar-2010		SCALE: 1:1
1X					X.XX: ±0.15	X.XX': ±2.0°			UNIT: mm
REV.	DESCRIPTION	DR.BY	ECN. NO.		X.XXX: ±0.10	X.XXX': ±1.0°			THIRD ANGLE PROJECTION

A4