

**Specifications:**

**Material And Finish:**

Insulator:Nylon 6T UL94V-0 Color:Black  
 Contact:Phosphor Bronze  
 Plated:See Ordering Information

**Rating:**

Current Rating:1.0 Amp  
 Voltage Rating:100V AC/DC  
 Operating Temperature Range:-40° ~ +105° C

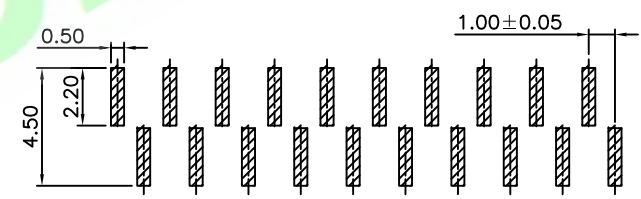
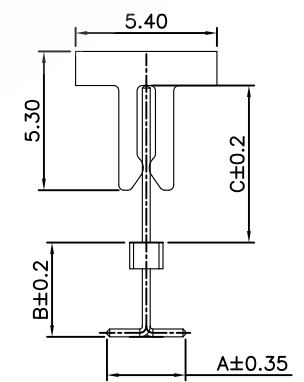
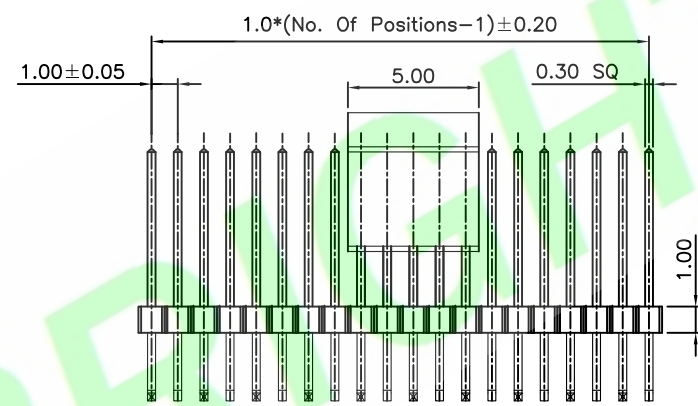
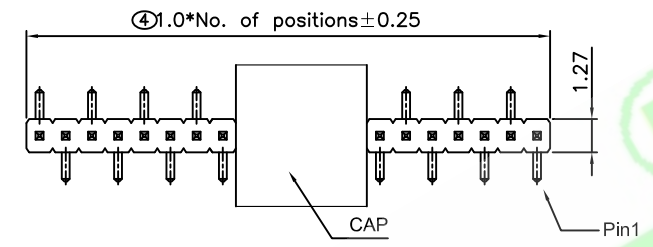
**Electrical:**

Contact resistance:20m Ohm Max  
 Insulator resistance:1000M ohm min.  
 Withstanding Voltage:500V AC/Minute

**Ordering Information**

10011M-XXQXXX-NF-G  
 1 2 3 4 5

- 1: — Series No.
- 2: — M:SMT Type
- 3: — No. of Positions
- 4: — Q: Tin Plated
- 5: — F:W/Cap In Tape&Reel



Recommended PCB Layout

5X				DR.BY.: Samson	GENERAL TOLERANCE:		PART NO : 10011M-XXQXXX-NF-G		<b>HJBRIGHT</b> 东莞市華晶電子有限公司 BRIGHT-E ELECTRONIC TECHNOLOGY LIMITED	
4X					LINEAR	ANGLES	DWG. NO.:			
3X				CHKD.: Tony	X.: ±0.30	X': ±5.0°	TITLE :		SHEET: 1/1	THIRD ANGLE PROJECTION
2X					X.X: ±0.20	X.X': ±3.0°	1.0mm Pitch Pin Header SMT Type		SCALE: 1:1	
1X	ORIGINAL	Samson		APPD.: Billy	X.XX: ±0.15	X.XX': ±2.0°	DATE: 23-Jan-2015		UNIT: mm	
REV.	DESCRIPTION	DR.BY	ECN. NO.		X.XXX: ±0.10	X.XXX': ±1.0°				