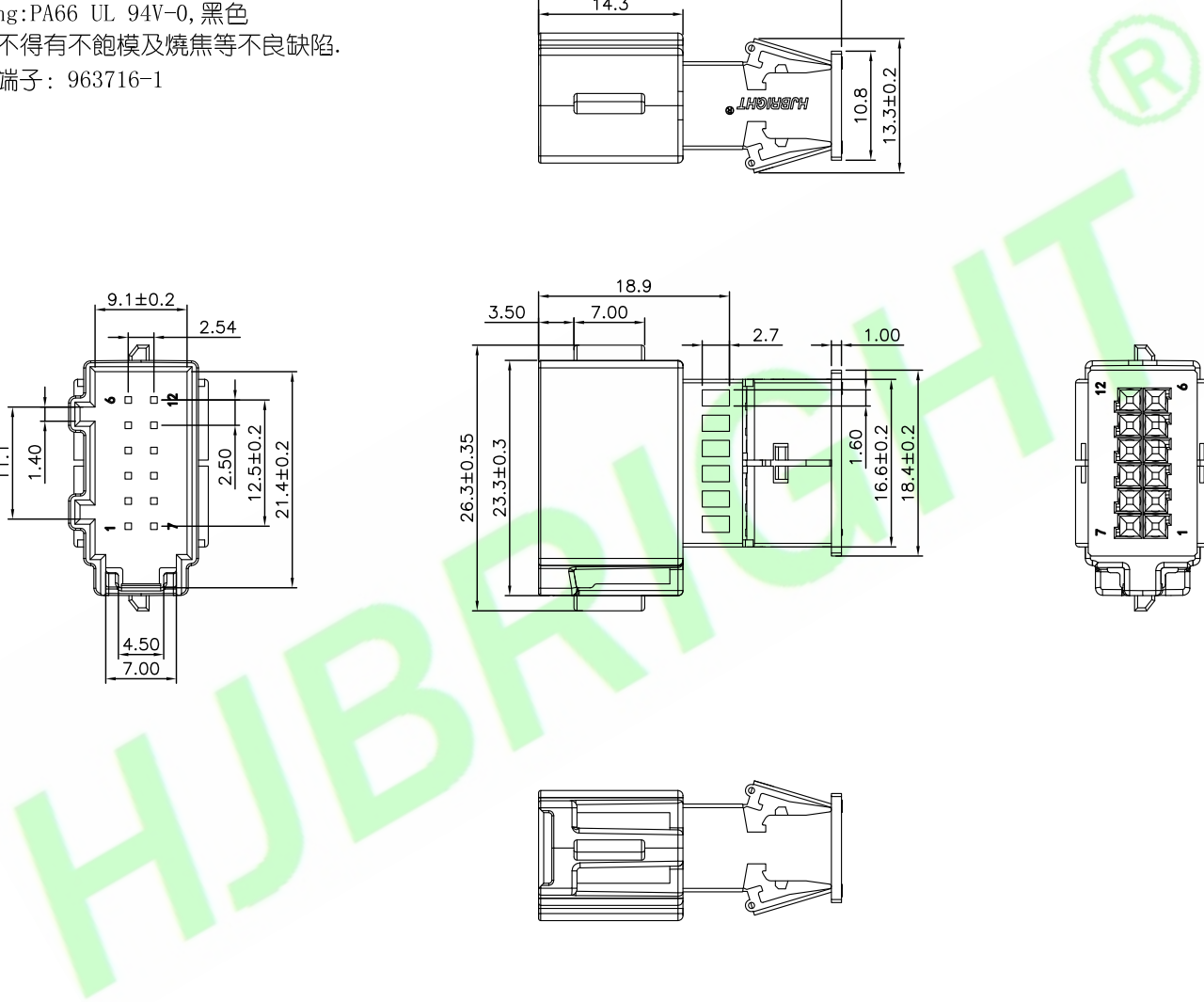
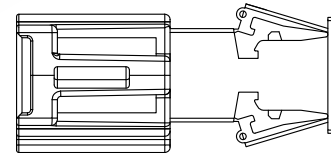
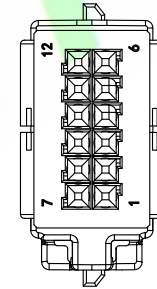
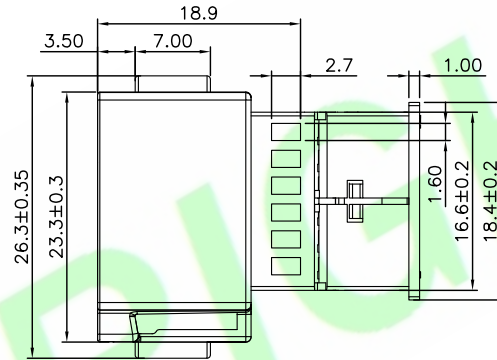
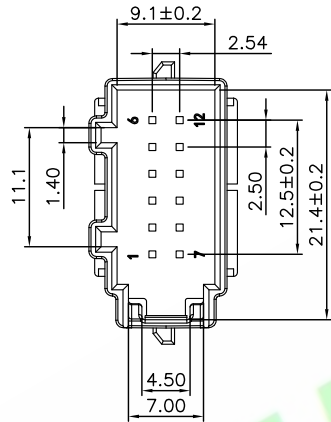
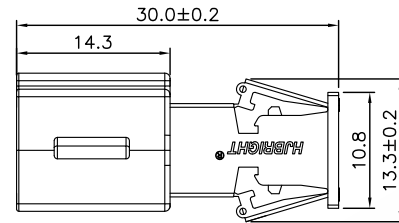


Material:

1. Hosing: PA66 UL 94V-0, 黑色
2. 塑膠不得有不飽模及燒焦等不良缺陷.
3. 配TE端子: 963716-1



5X			
4X			
3X			
2X			
1X			
REV.	DESCRIPTION	DR. BY	ECN. NO.

DR. BY:	samson	
CHKD.:	tony	
APPD.:	Billy	
GENERAL TOLERANCE:		
	LINEAR	ANGLES
	X.: ±	X': ±5.0°
	X.X: ±0.20	X.X': ±3.0°
	X.XX: ±0.15	X.XX': ±2.0°
	X.XXX: ±0.05	X.XXX': ±1.0°

PART NO :	02.01.01.02156
DWG. NO.:	
TITLE :	12P 插头公座
DATE:	9-Jul-2018

**HJBRIGHT** 东莞市华晶电子有限公司  
BRIGHT-E ELECTRONIC TECHNOLOGY LIMITED

SHEET: 1/1  
SCALE: 1:1  
UNIT: mm

THIRD ANGLE PROJECTION

**A4**