

Specifications:

Material And Finish:

Insulator:High Temperature Plastic UL94V-0
 Contact:Phosphor Bronze
 Plated:See Ordering Information

Rating:

Current Rating:1.0 Amp
 Voltage Rating:100V AC/DC
 Operating Temperature Range:-40~+105°C

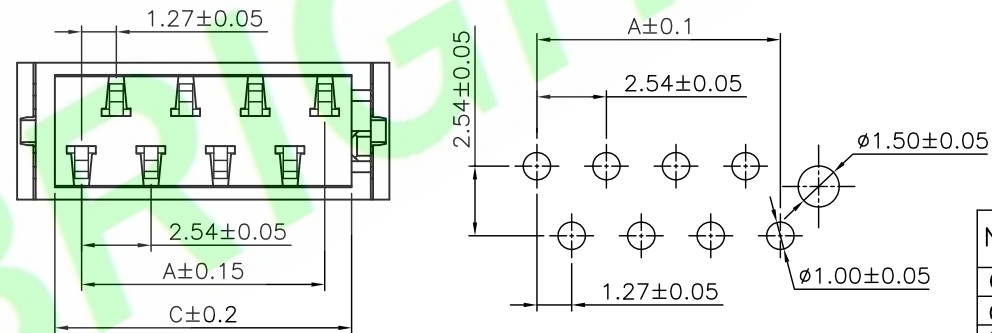
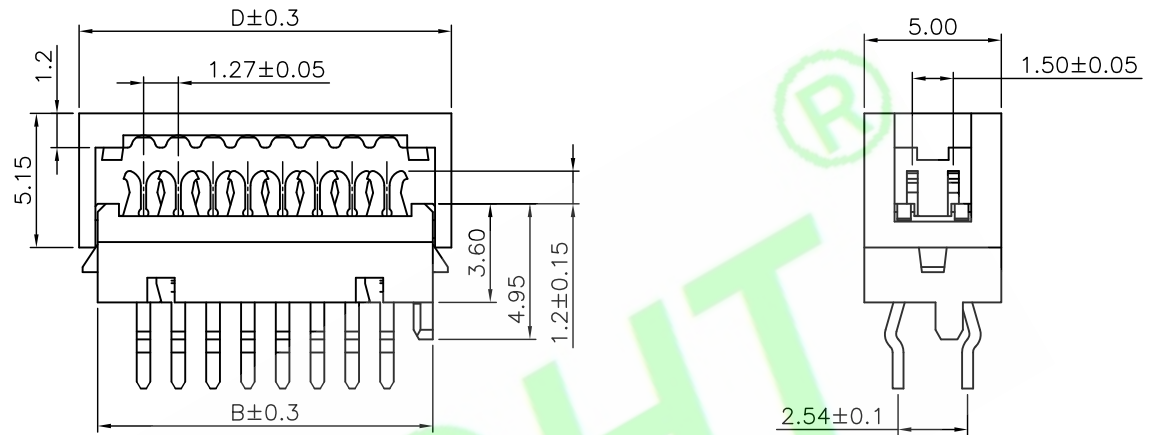
Electrical:

Contact resistance:20m Ohm Max
 Insulator resistance:1000M ohm min.
 Withstanding Voltage:1000V AC/Minute

Ordering Information

DP2542-XXX-01-X
 1 2 3 4 5

- 1: — Series No.
- 2: — No. of Positions
- 3: — A:Gold Flash
Q:Tin Plated
- 4: — 01:W/Latch
02:W/O Latch
- 4: — A:In Bag
B:In Tube
C:In Tray



Recommended PCB Layout

NO	DIM			
	A	B	C	D
04	3.81	7.11	5.91	8.51
06	6.35	9.65	8.45	11.05
08	8.89	12.19	10.99	13.59
10	11.43	14.73	13.53	16.13
12	13.97	17.27	16.07	18.67
14	16.51	19.81	18.61	21.21
16	19.05	22.35	21.15	23.75
18	21.59	24.89	23.69	26.29
20	24.13	27.43	26.23	28.83
22	26.67	29.97	28.77	31.37
24	29.21	32.51	31.31	33.91
26	31.75	35.05	33.85	36.45

5X				DR.BY.: Samson	GENERAL TOLERANCE:		PART NO : DP2542-XXX-01-X	HJBRIGHT 東莞市華晶電子有限公司 BRIGHT-E ELECTRONIC TECHNOLOGY LIMITED
4X				CHKD.: Tony	LINEAR	ANGLES	DWG. NO.: RD0809-031	
3X	Modify Dim B and D	Samson		APPD.: Billy	X.: ±0.30	X': ±5.0°	TITLE : 2.54mm Pitch IDC Plug Dip Type	SHEET: 1/1
2X	ORIGINAL	joy chen			X.X: ±0.25	X.X': ±3.0°	DATE: 13-Feb-2009	SCALE:1:1
1X	DESCRIPTION	DR.BY	ECN. NO.		X.XX: ±0.20	X.XX': ±2.0°		UNIT:mm
REV.					X.XXX: ±0.10	X.XXX': ±1.0°		THIRD ANGLE PROJECTION

A4