

**Specifications:**

**Material And Finish:**

Insulator:Nylon 6T UL94V-0 Color:Black  
 Contact:Brass  
 Plated:See Ordering Information

**Rating:**

Current Rating:2.0 Amp  
 Voltage Rating:150V AC/DC  
 Operating Temperature Range:-40~+105°C

**Electrical:**

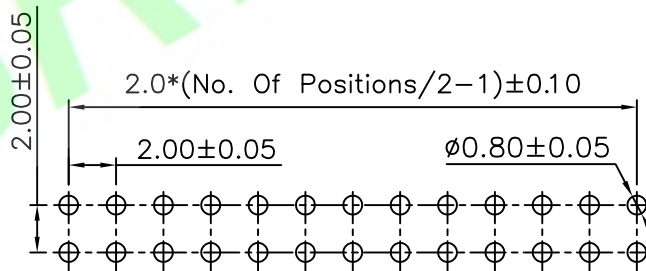
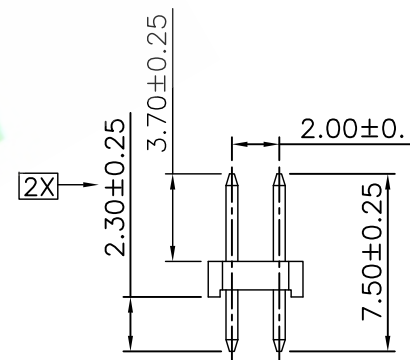
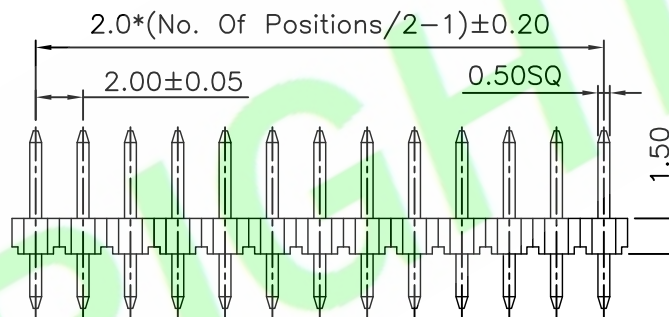
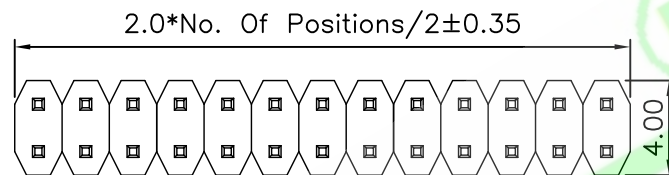
Contact resistance:20m Ohm Max  
 Insulator resistance:1000M ohm min.  
 Withstanding Voltage:500V AC/Minute

**Ordering Information**

**20012S-XXX082-NX**

1 2 3 4 5

- 1: — Series No.
- 2: — S: Straight Type
- 3: — No. of Positions
- 4: — A: Gold Flash  
 D: Gold 10u"  
 H: Selective Gold Plated  
 T: Contact: Gold 10u" Solderial: Matte Tin: 100u"  
 Q: Tin Plated
- 5: — A: In bag  
 B: Tube



Recommended PCB Layout

5X				DR.BY.: Samson	GENERAL TOLERANCE:		PART NO : 20012S-XXX082-NX		<b>HJBRIGHT</b> 東莞市華晶電子有限公司 BRIGHT-E ELECTRONIC TECHNOLOGY LIMITED
4X				CHKD.: Tony	LINEAR	ANGLES	DWG. NO.: RD0808-027		
3X	Change dip Dim	Samson		APPD.: Billy	X.: ±0.30	X': ±5.0°	TITLE : 2.0mm Pitch Pin Header Straight Type		SHEET: 1/1
2X	ORIGINAL	Samson			X.X: ±0.20	X.X': ±3.0°	DATE: 12-Jul-2010		SCALE: 1:1
1X	DESCRIPTION	DR.BY	ECN. NO.		X.XX: ±0.15	X.XX': ±2.0°			UNIT: mm
REV.					X.XXX: ±0.10	X.XXX': ±1.0°			THIRD ANGLE PROJECTION

**A4**