

Specifications:

Material And Finish:

Insulator:Nylon 6T UL94V-0 Color:Black
 Contact:Brass
 Plated:See Ordering Information

Rating:

Current Rating:3.0 Amp
 Voltage Rating:250V AC/DC
 Operating Temperature Range:-40° ~ +105° C

Electrical:

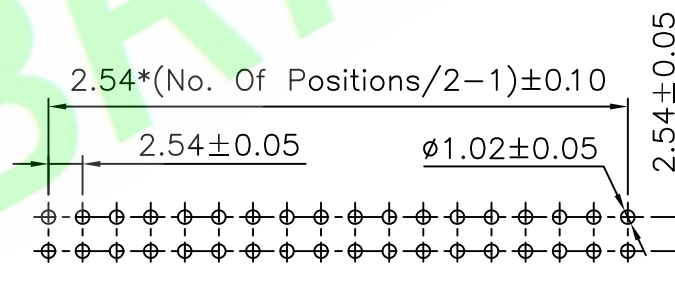
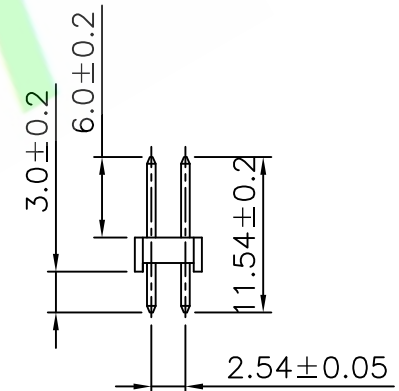
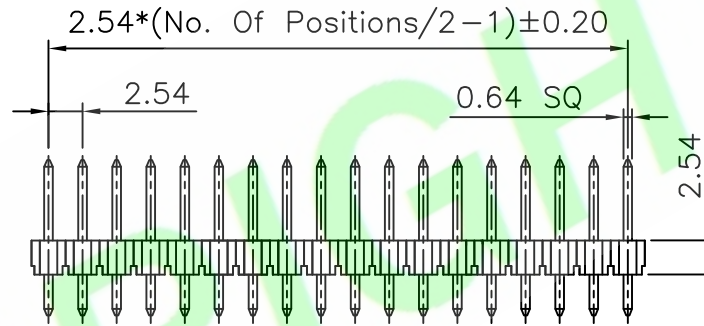
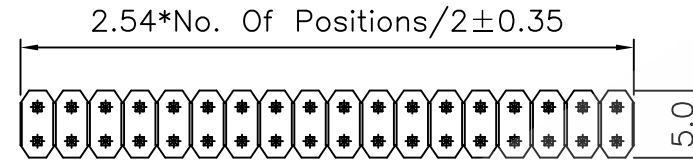
Contact resistance:20m Ohm Max
 Insulator resistance:1000M ohm min.
 Withstanding Voltage:500V AC/Minute

Ordering Information

25412S-XXX115-NX

1 2 3 4 5

- 1: — Series No.
- 2: — S: Straight Type
- 3: — No. of Positions
- 4: — A: Gold Flash
 H: Selective Gold Plated
 Q: Tin Plated
- 5: — A: In bag
 B: In Tube
 C: In Tray



Recommended PCB Layout

5X			DR.BY.: Bruce	GENERAL TOLERANCE:		PART NO : 25412S-XXX115-NX	
4X				LINEAR	ANGLES	DWG. NO.: RD0809-002	
3X			CHKD.: Tony	X.: ±0.30	X': ±5.0°	TITLE : 2.54mm Pitch Pin Header Straight Type	
2X				X.X: ±0.20	X.X': ±3.0°	DATE: 02-Sep-2008	
1X	ORIGINAL	Bruce	APPD.: Billy	X.XX: ±0.15	X.XX': ±2.0°	SHEET: 1/1	
REV.	DESCRIPTION	DR.BY	ECN. NO.	X.XXX: ±0.10	X.XXX': ±1.0°	SCALE: 1:1	

HJBRIGHT 東莞市華晶電子有限公司
 BRIGHT-E ELECTRONIC TECHNOLOGY LIMITED

SHEET: 1/1
 SCALE: 1:1
 UNIT: mm

THIRD ANGLE PROJECTION

A4