

**Specifications:**

**Material And Finish:**

Insulator:Nylon 6T UL94V-0 Color:Black  
 Contact:Brass  
 Plated:See Ordering Information

**Rating:**

Current Rating:1.0 Amp  
 Voltage Rating:100V AC/DC  
 Operating Temperature Range:-40~+105°C

**Electrical:**

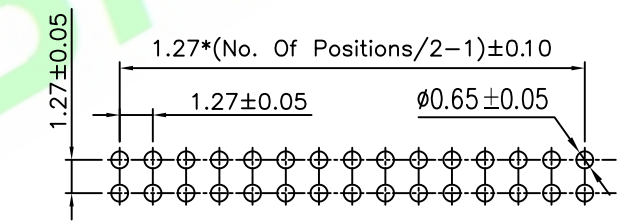
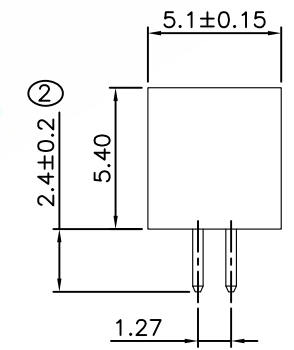
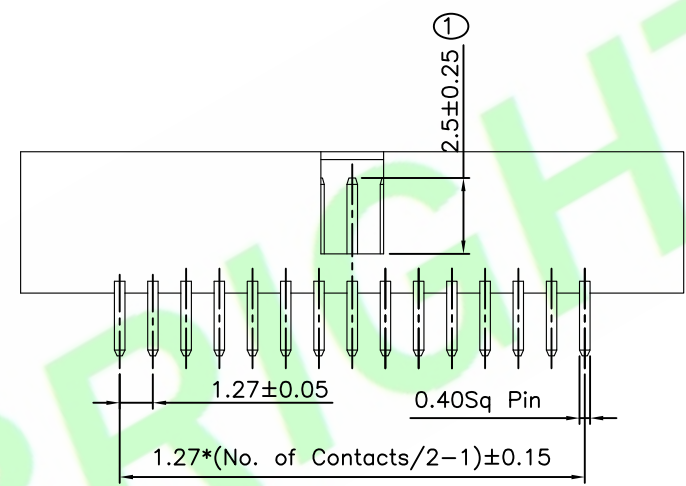
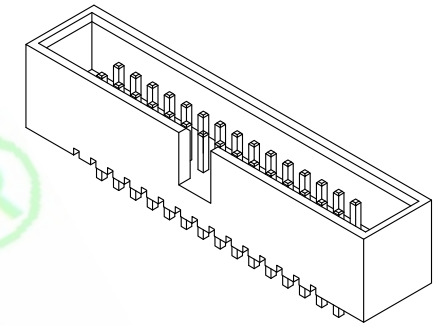
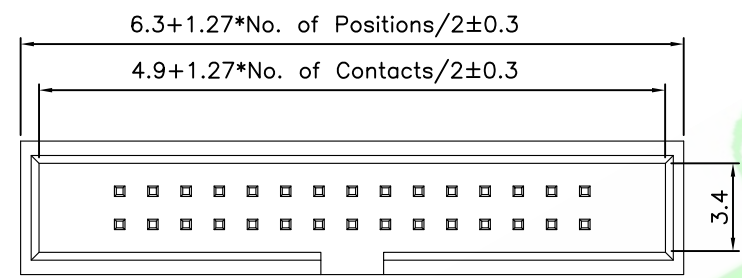
Contact resistance:40m Ohm Max  
 Insulator resistance:500M ohm min.  
 Withstanding Voltage:500V AC/Minute

**Ordering Information**

**B1273S-XXX-01-X**

1 2 3 4 5

- 1: — Series No.
- 2: — S: Straight Type
- 3: — No. of Positions
- 4: — A: Gold Flash  
 H: Selective Gold Plated  
 Q: Tin Plated
- 6: — A: In bag  
 B: In Tube



Recommended PCB Layout

5X			
4X			
3X			
2X			
1X	ORIGINAL	Samson	
REV.	DESCRIPTION	DR.BY	ECN. NO.

DR.BY.: Samson	GENERAL TOLERANCE:	
CHKD.: Tony	LINEAR	ANGLES
APPD.: Billy	X.: ±0.30	X': ±5.0°
	X.X: ±0.20	X.X': ±3.0°
	X.XX: ±0.15	X.XX': ±2.0°
	X.XXX: ±0.10	X.XXX': ±1.0°

PART NO : B1273S-XXX-01-X
DWG. NO.: RD0805-061
TITLE : 1.27mm Pitch Box Header Straight Type
DATE: 17-May-2008

**HJBRIGHT** 東莞市華晶電子有限公司  
 BRIGHT-E ELECTRONIC TECHNOLOGY LIMITED

SHEET: 1/1  
 SCALE: 1:1  
 UNIT: mm

THIRD ANGLE PROJECTION

**A4**