

Specifications:

Material And Finish:

Insulator:Nylon 6T UL94V-0 Color:Black
 Contact:Brass
 Plated:See Ordering Information

Rating:

Current Rating:3.0 Amp
 Voltage Rating:250V AC/DC
 Operating Temperature Range:-40° ~ +105° C

Electrical:

Contact resistance:20m Ohm Max
 Insulator resistance:1000M ohm min.
 Withstanding Voltage:500V AC/Minute

Insertion and Extraction Force:

2LBS/0.9KG Min Pin Retention In Either Direction

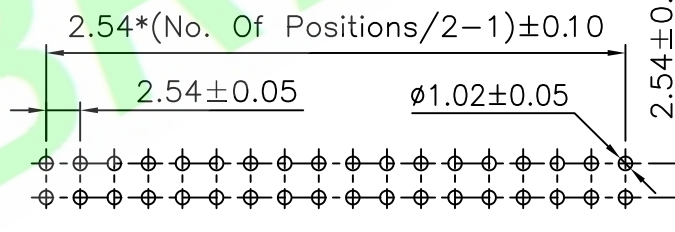
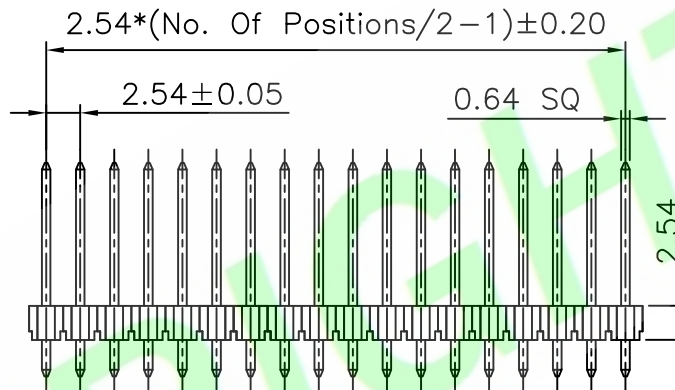
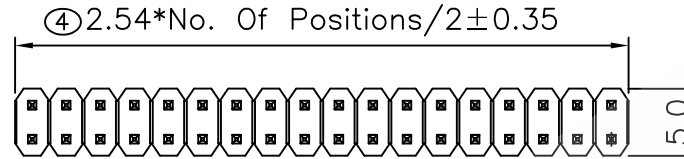
Ordering Information

25412S-XXX162-NX

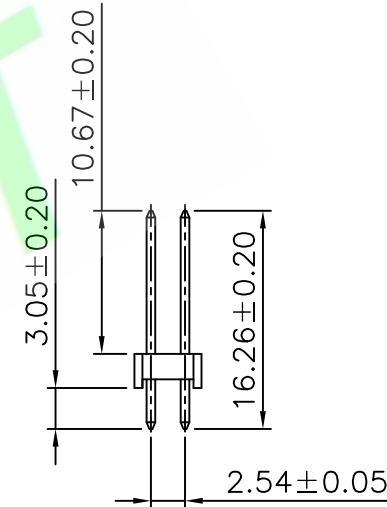
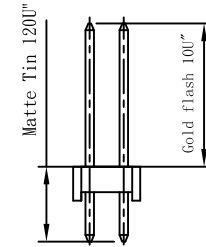
1 2 3 4 5

- 1: — Series No.
- 2: — S: Straight Type
- 3: — No. of Positions
- 4: — A: Gold Flash
 H: Selective Gold Plated
 K: Contact: Gold 10u",
 SolderTail: Matte Tin 120U"
 Q: Tin Plated

- 5: — A: In bag
 B: In Tube
 C: In Tray



Recommended PCB Layout



5X			
4X			
3X			
2X			
1X	ORIGINAL	Samson	
REV.	DESCRIPTION	DR.BY	ECN. NO.

DR.BY:	Samson
CHKD.:	Tony
APPD.:	Billy

GENERAL TOLERANCE:		PART NO : 25412S-XXX162-NX
LINEAR	ANGLES	DWG. NO.: RD0904-021
X.: ±0.30	X': ±5.0°	TITLE :
X.X: ±0.20	X.X': ±3.0°	2.54mm Pitch Pin Header Straight Type
X.XX: ±0.15	X.XX': ±2.0°	DATE: 14-Apr-2009
X.XXX: ±0.10	X.XXX': ±1.0°	

HJBRIGHT 東莞市華晶電子有限公司
 BRIGHT-E ELECTRONIC TECHNOLOGY LIMITED

SHEET: 1/1
 SCALE: 1:1
 UNIT: mm

THIRD ANGLE PROJECTION

A4