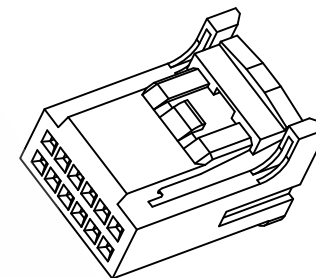
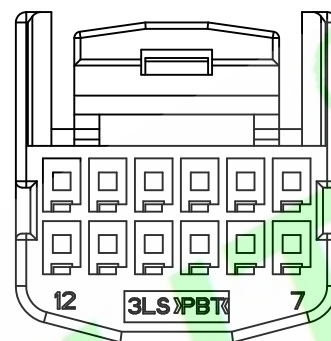
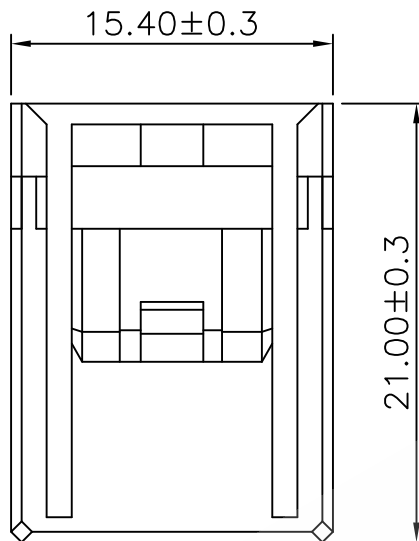


Specifications:  
 Material And Finish:  
 Insulator:PBT UL94V-0  
 Wire Rang:AVSS,AVSSH-f 0.3-0.5MM<sup>2</sup>  
 Temperature Range:-40°C~+125°C



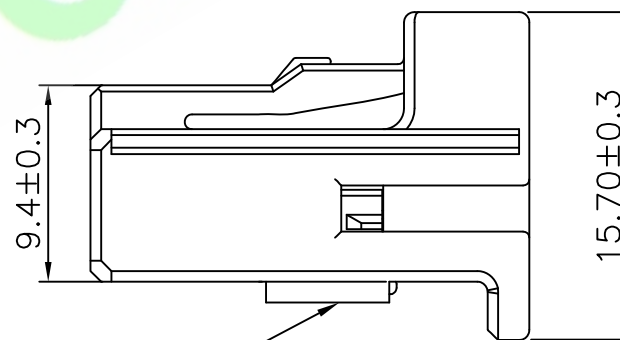
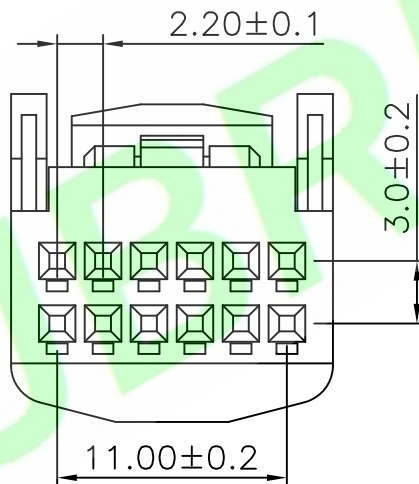
C向

Ordering Information

H22011-12-01-X

1 2 3

- 1: — Series No.
- 2: — No. of Positions
- 3: — W:White  
B:Black



Retainer

C向

5X				DR.BY.: Bruce	GENERAL TOLERANCE:		PART NO : H22011-12-01-X		<b>HJBRIGHT</b> ® 東莞市華晶電子有限公司 BRIGHT-E ELECTRONIC TECHNOLOGY LIMITED		
4X				CHKD.: Tony	LINEAR	ANGLES	DWG. NO.: 22011-12Y-*				
3X				APPD.: Billy	x.: ±0.15	x': ±3.0°	TITLE : CN11 Series Female Housing		SHEET: 1/1	THIRD ANGLE PROJECTION	
2X	ORIGINAL	Bruce			x.x: ±0.10	x.x': ±2.0°	DATE: 1-Aug-2018		SCALE: 1:1		<b>A4</b>
1X	DESCRIPTION	DR.BY	ECN. NO.		x.xxx: ±0.02	x.xxx': ±0.5°			UNIT: mm		