

**Specifications:**

**Material And Finish:**

Insulator:PBT UL94V-0  
 Contact:Brass  
 Plated:See Ordering Information

**Rating:**

Current Rating:3.0 Amp  
 Voltage Rating:250V AC/DC  
 Operating Temperature Range:-25~+85°C

**Electrical:**

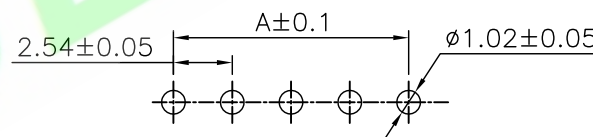
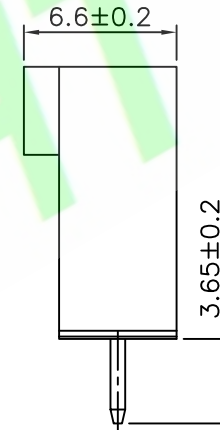
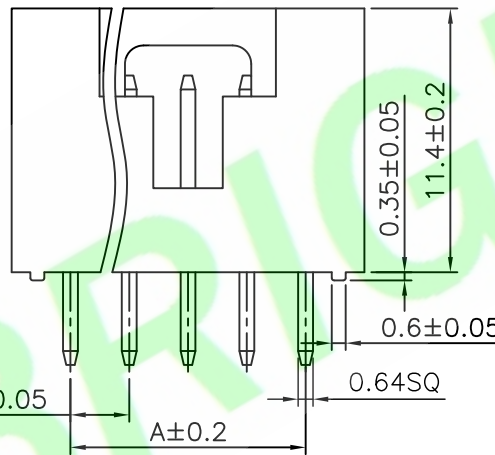
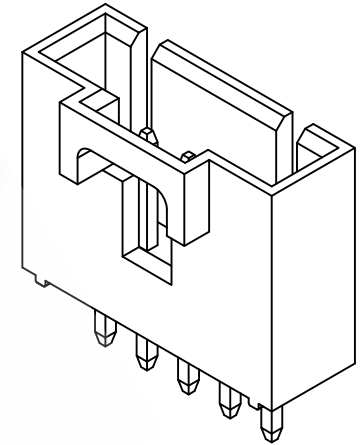
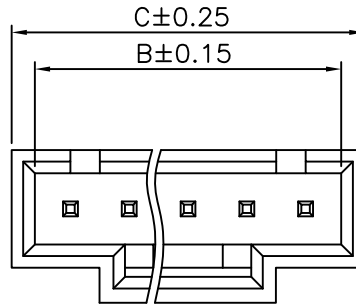
Contact resistance:20m Ohm Max  
 Insulator resistance:1000M ohm min.  
 Withstanding Voltage:1000V AC/Minute

**Ordering Information**

**A2541S-XXX-01-XX**

1 2 3 4 5 6

- 1: — Series No.
- 2: — S: Straight Type
- 3: — No. of Positions
- 4: — A: Gold Flash  
 H: Selective Gold Plated  
 Q: Tin Plated
- 5: — B: Black  
 W: White  
 G: Gray
- 6: — A: In Bag  
 B: In Tube  
 C: In Tray

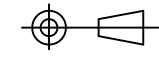


Recommended PCB Layout

Circuits	Dimension mm		
	A	B	C
02	2.54	5.62	7.62
03	5.08	8.16	10.16
04	7.62	10.70	12.70
05	10.16	13.24	15.24

RoHS Compliant

5X				DR.BY.: Samson	GENERAL TOLERANCE:		PART NO : A2541S-XXX-01-XX		<b>HJBRIGHT</b> 东莞市華晶電子有限公司 BRIGHT-E ELECTRONIC TECHNOLOGY LIMITED
4X				CHKD.: Tony	LINEAR	ANGLES	DWG. NO.: RD0806-058		
3X				APPD.: Billy	X.: ±0.30	X': ±5.0°	TITLE : 2.54mm Pitch Wafer Straight Type		SHEET: 1/1
2X	增加颜色代码	Samson	20131210		X.X: ±0.20	X.X': ±3.0°	DATE: 21-Jun-2008		SCALE: 1:1
1X	ORIGINAL	joy chen			X.XX: ±0.15	X.XX': ±2.0°			UNIT: mm
REV.	DESCRIPTION	DR.BY	ECN. NO.		X.XXX: ±0.10	X.XXX': ±1.0°			THIRD ANGLE PROJECTION



A4