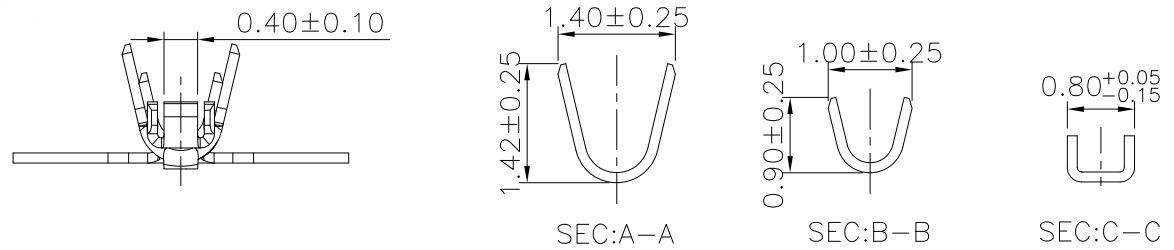
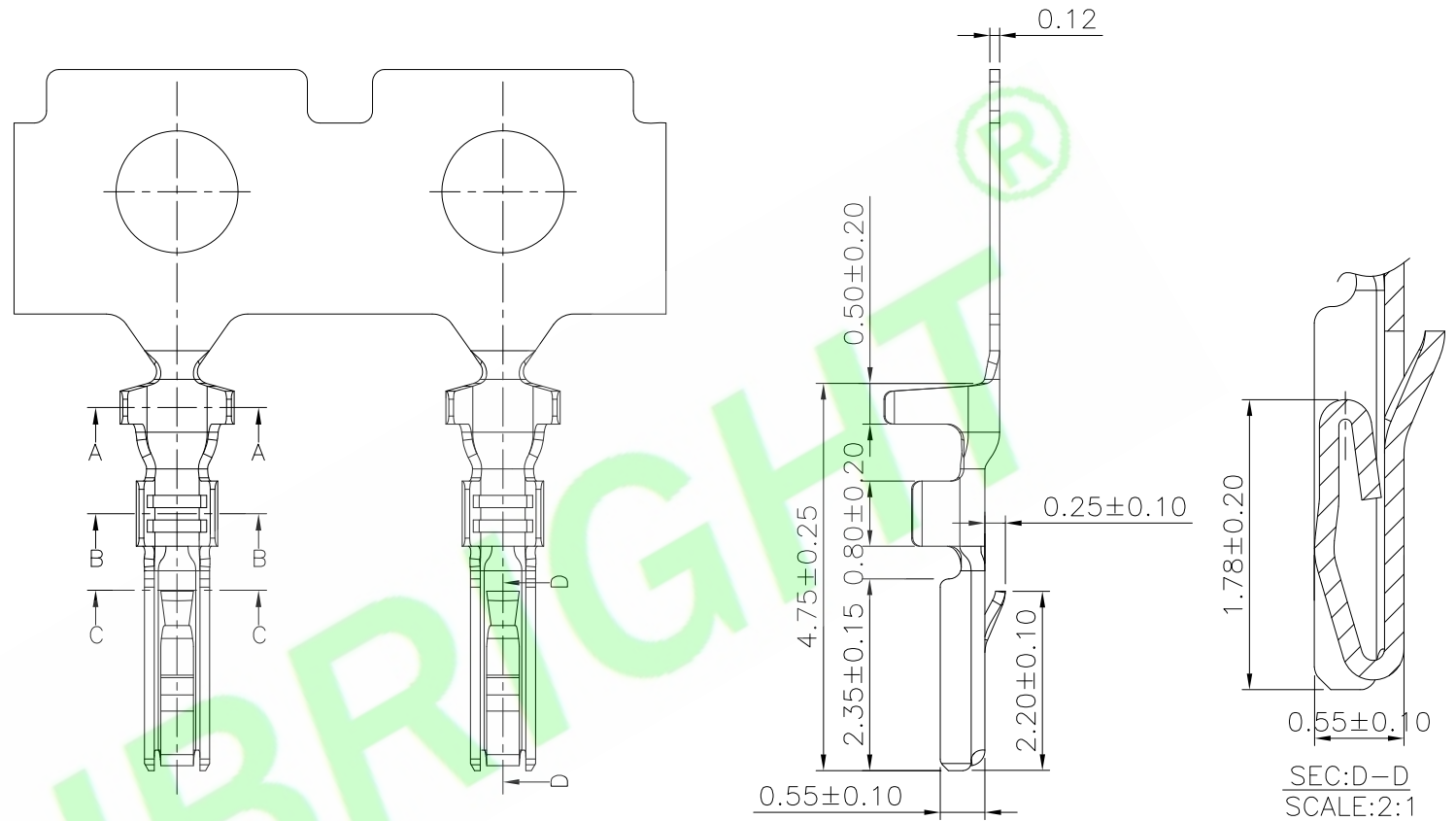


RoHS Compliant

Material:  
Terminal: Phosphor Bronze,  
Wire Range: AWG#28~32  
Insulation O.D.: 0.80mm(Max)

Ordering Information  
A1009T-PX  
1 2 3

- 1: — Series No.
- 2: — T: Terminal
- 3: — Plated:  
A: Gold Flash  
Q: Tin Plated



HJBRIGHT®

5X				DR.BY.: Bruce	GENERAL TOLERANCE:		PART NO : A1009T-PX
4X				CHKD.: Tony	LINEAR	ANGLES	DWG. NO.:
3X				APPD.: Billy	X.: ±0.25	X':	TITLE :
2X	ORIGINAL	Bruce			X.X: ±0.15	X.XX:	1.00mm Pitch Crimp Terminal
1X	DESCRIPTION	DR.BY	ECN. NO.		X.XXX: ±0.05	X.XXX:	DATE: 12-Jun-2016
REV.							

**HJBRIGHT®** 東莞市華晶電子有限公司  
BRIGHT-E ELECTRONIC TECHNOLOGY LIMITED

SHEET: 1/1  
SCALE: 1:1  
UNIT: mm

THIRD ANGLE PROJECTION

**A4**