

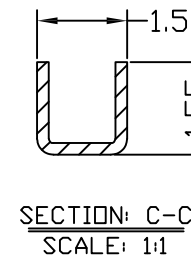
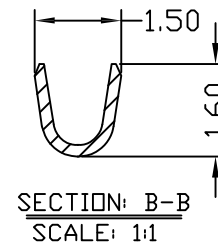
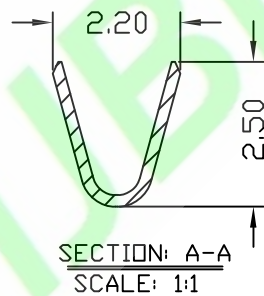
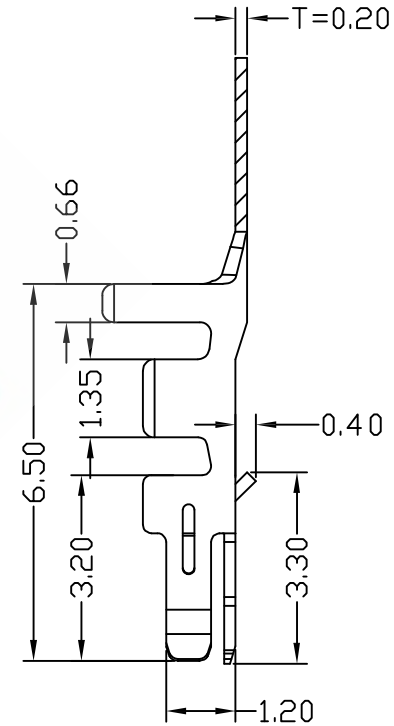
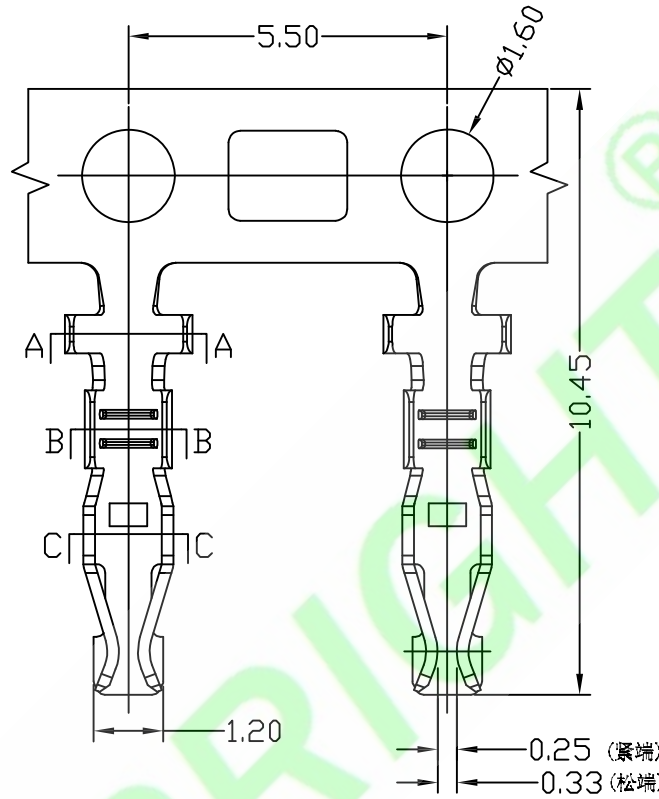
RoHS Compliant

Material:
Terminal: Phosphor Bronze
Wire Range: AWG#22~28
Insulation O.D.: 1.55mm/Max
Qty/Reel: 10kpcs

Ordering Information
A2004TF-PXB

1 23 45

- 1: — Series No.
- 2: — T: Terminal
- 3: — Terminal Type:
F—mate with mate housing
- 4: — Plated:
Q: Tin Plated
- 5: — Other:
A: 紧端
B: 松端
C: 普通型



5X			
4X			
3X			
2X			
1X	ORIGINAL	Samson	
REV.	DESCRIPTION	DR.BY	ECN. NO.

DR.BY.: Samson	GENERAL TOLERANCE:	
CHKD.: Tony	LINEAR	ANGLES
APPD.: Billy	x.: ±0.30	x': ±5.0°
	x.xx: ±0.20	x.x': ±3.0°
	x.xxx: ±0.10	x.xxx': ±2.0°
		x.xxxx': ±1.0°

PART NO : A2004TF-PXB
DWG. NO.:
TITLE : 2.00mm Pitch Hosing Terminal
DATE: 12-Jan-2017

HJBRIGHT 东莞市华晶电子有限公司
BRIGHT-E ELECTRONIC TECHNOLOGY LIMITED

SHEET: 1/1
SCALE: 1:1
UNIT: mm

THIRD ANGLE PROJECTION

A4